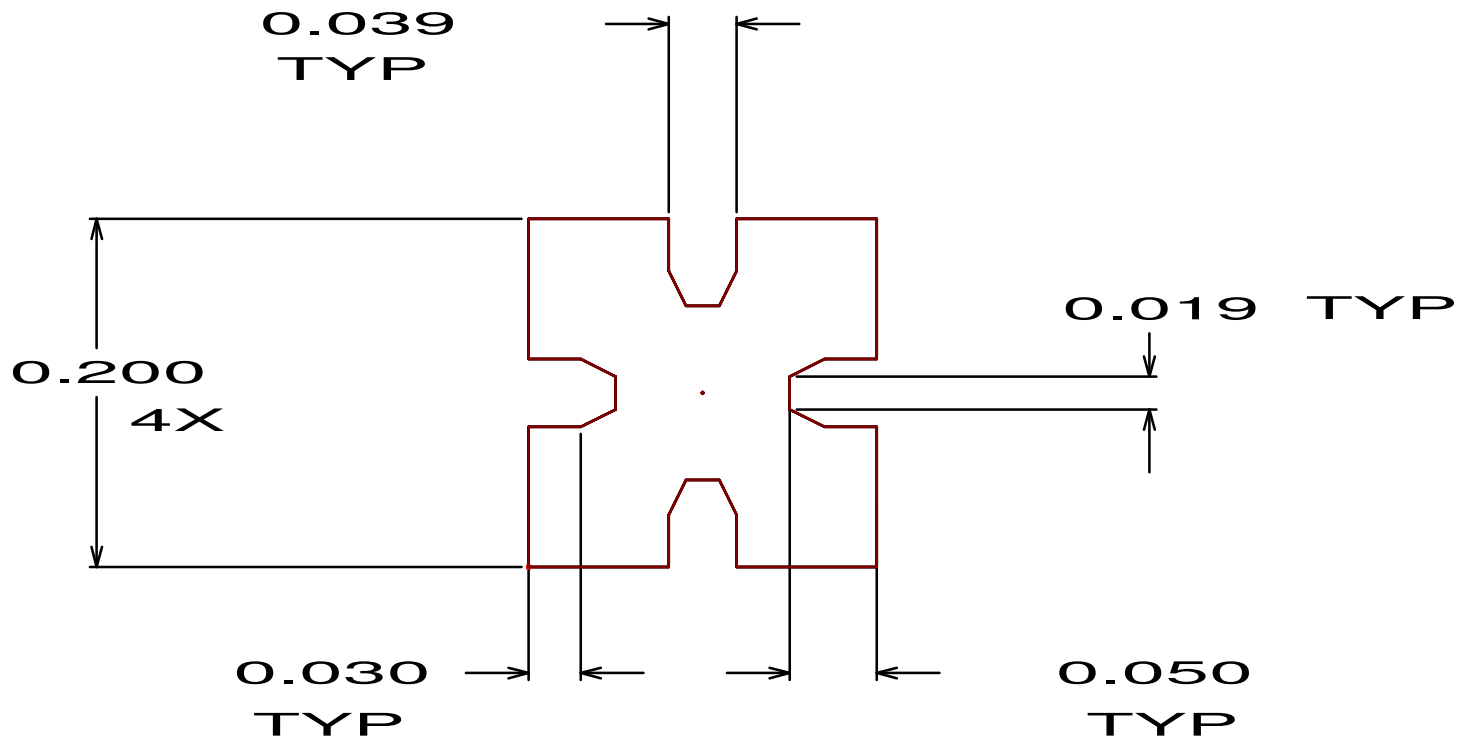
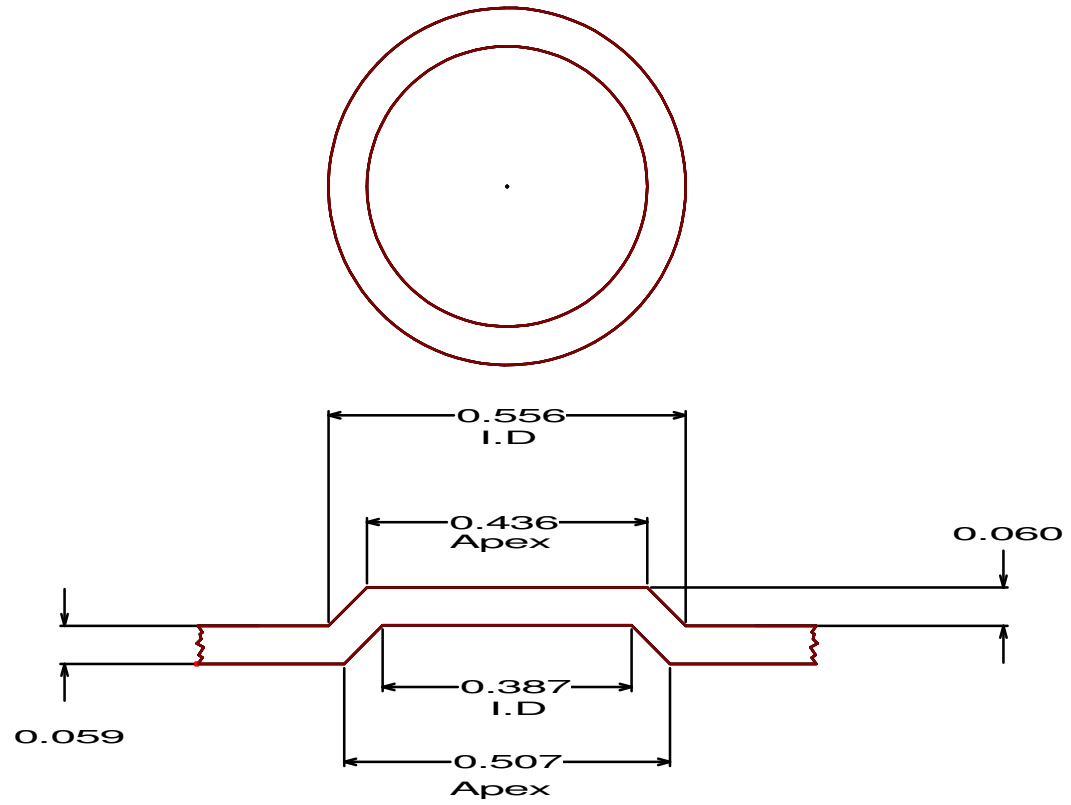


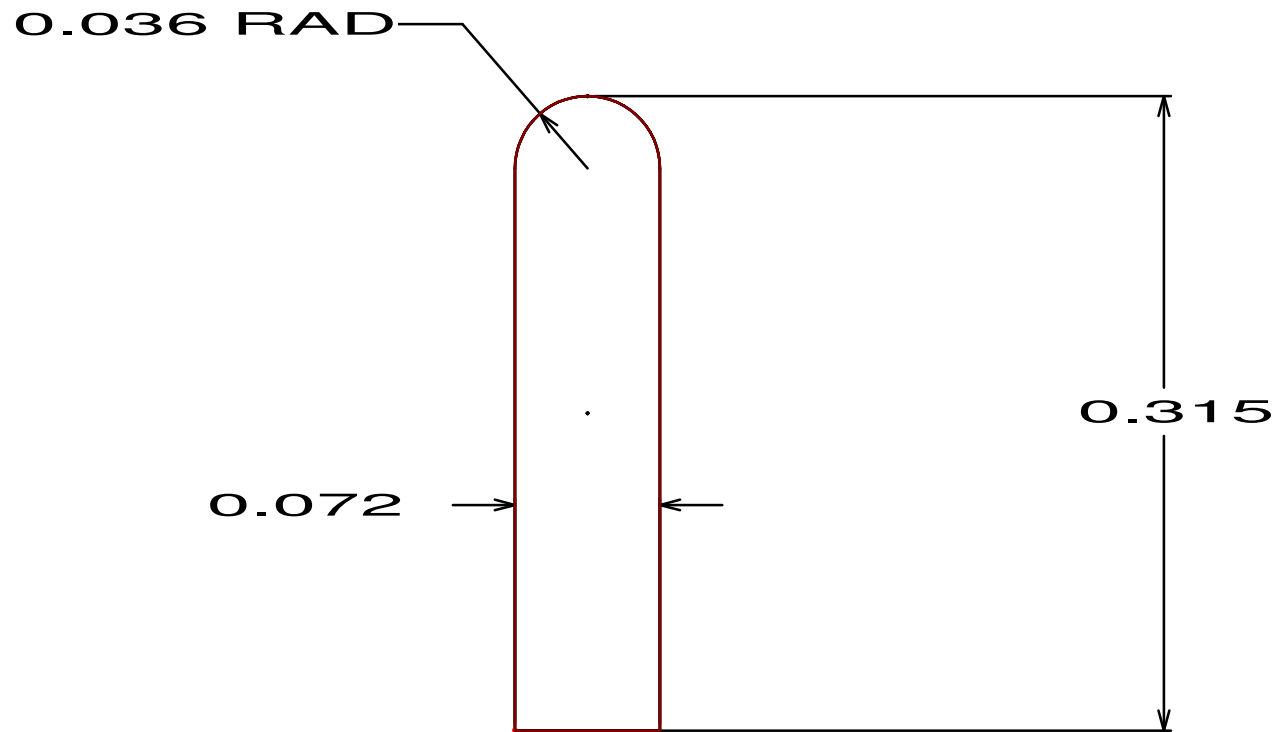
.039 X.050 MICRO TAB (4-WAY)



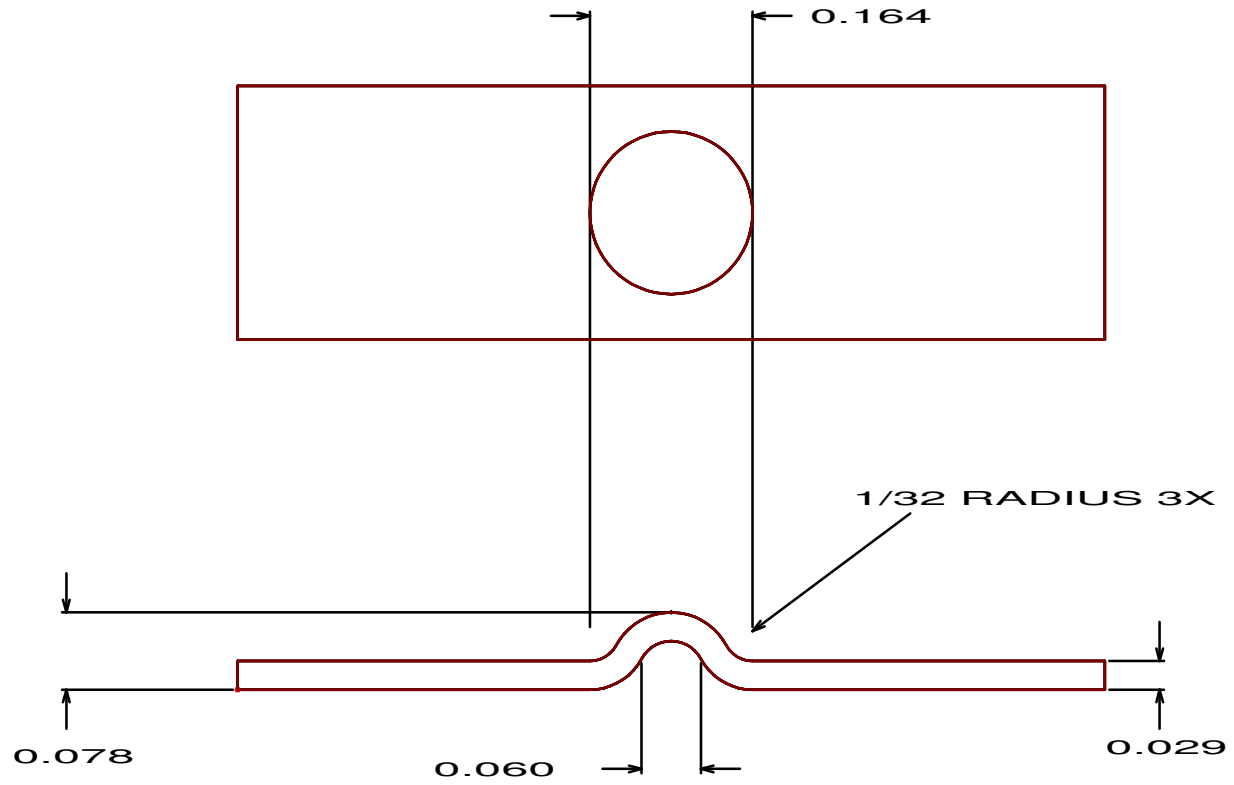
.060 X .436 DIMPLE



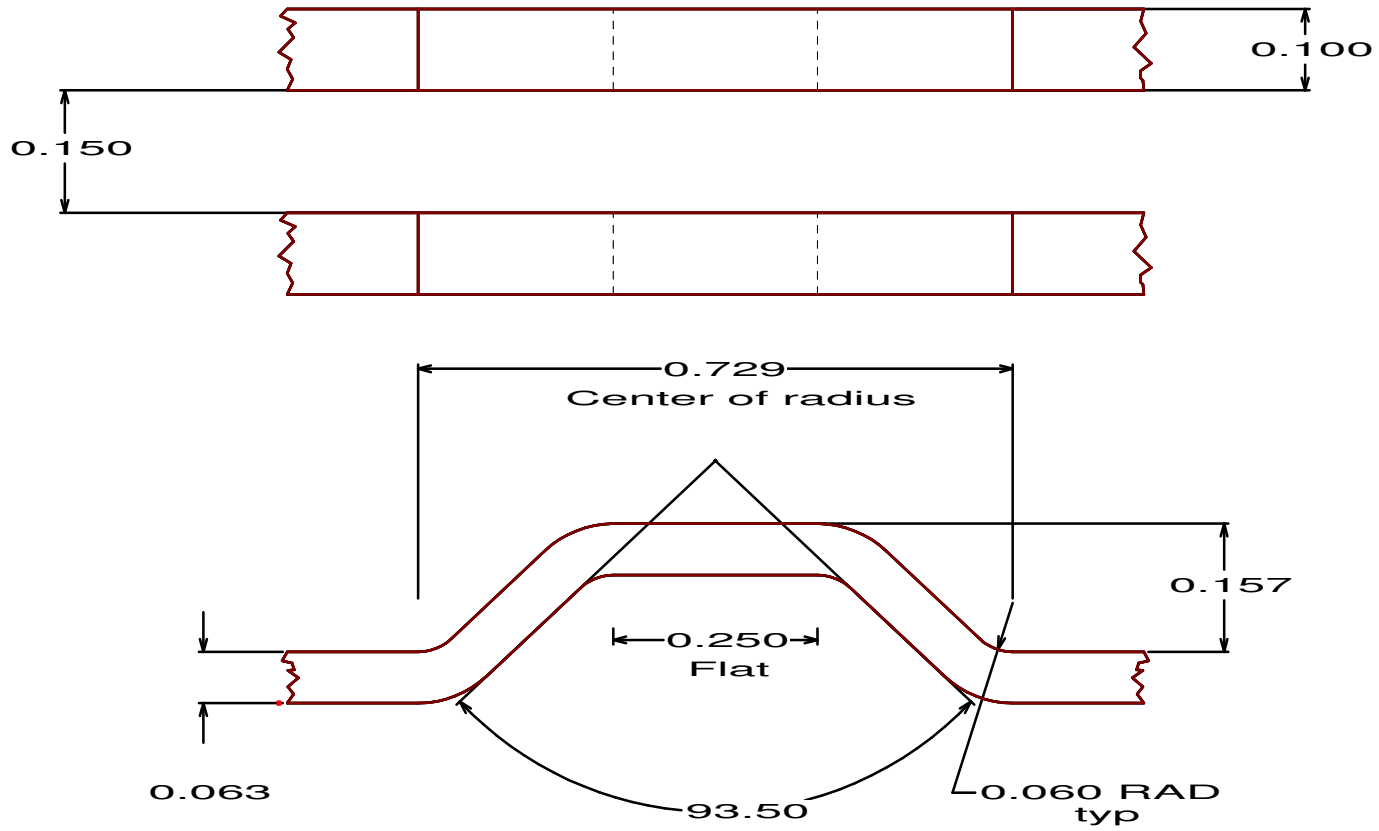
.072 x .315 obtangle



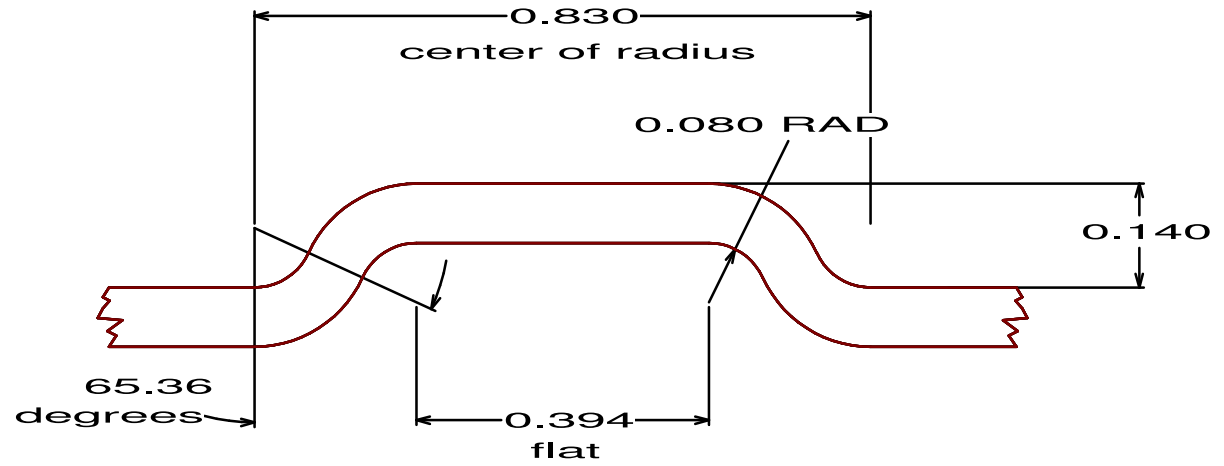
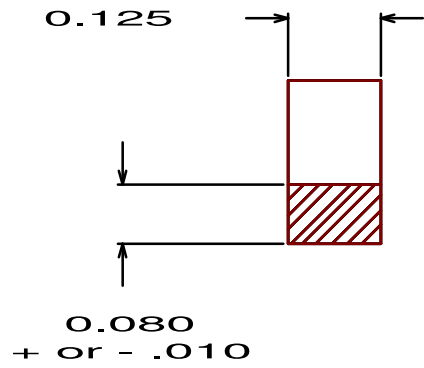
.078 X .164 DIMPLE



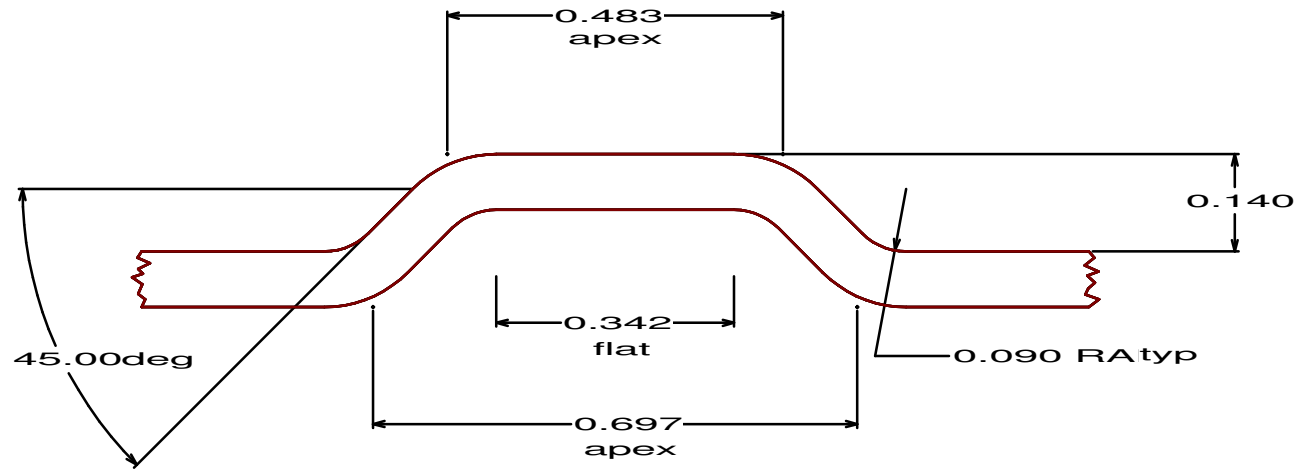
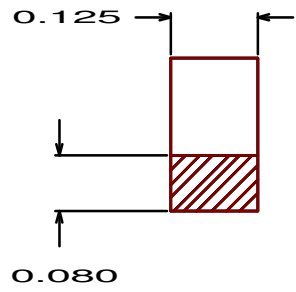
.100 x .157 Form up double lance



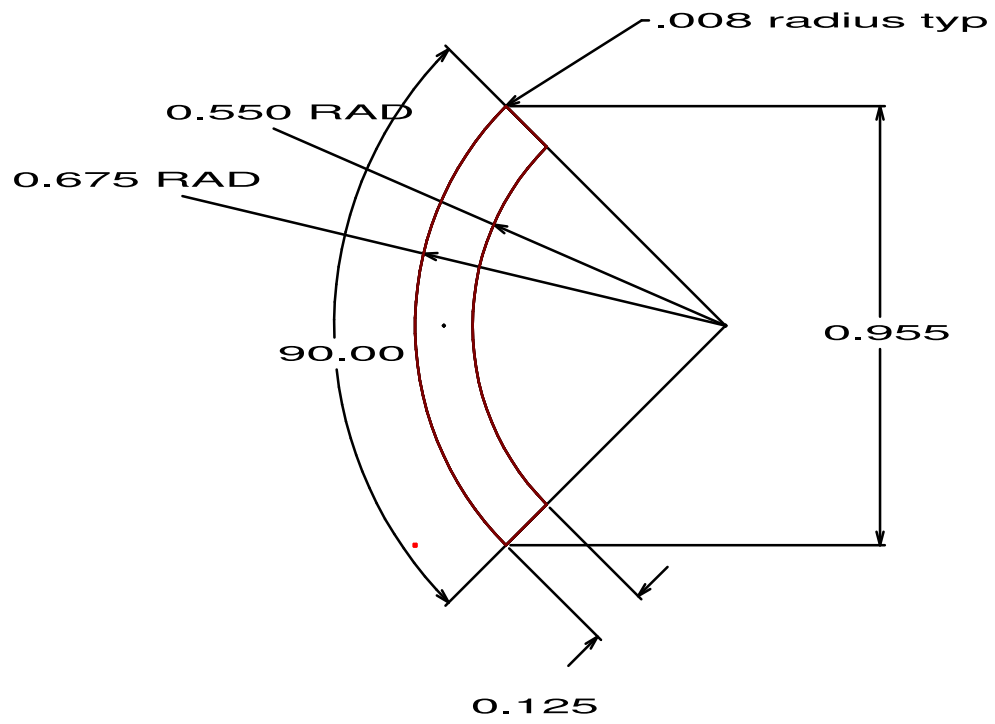
.125 x .140 bridge lance 2



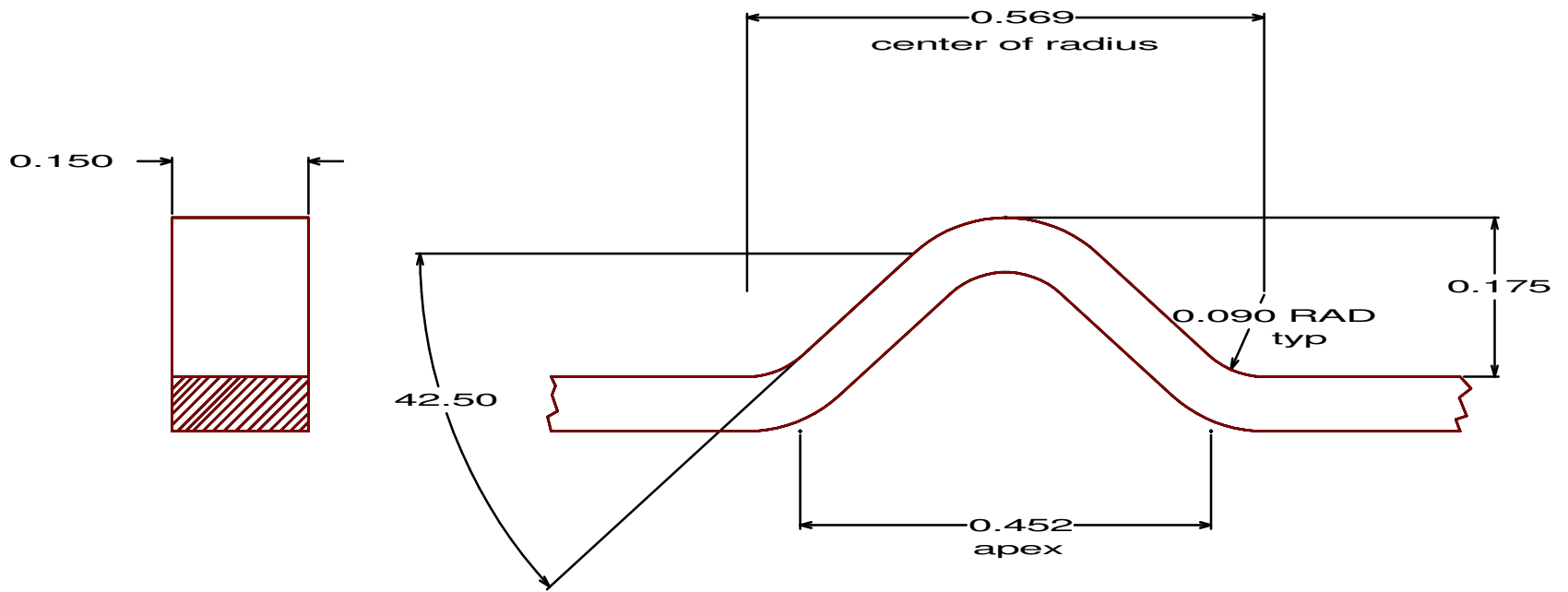
.125 x .140 bridge lance



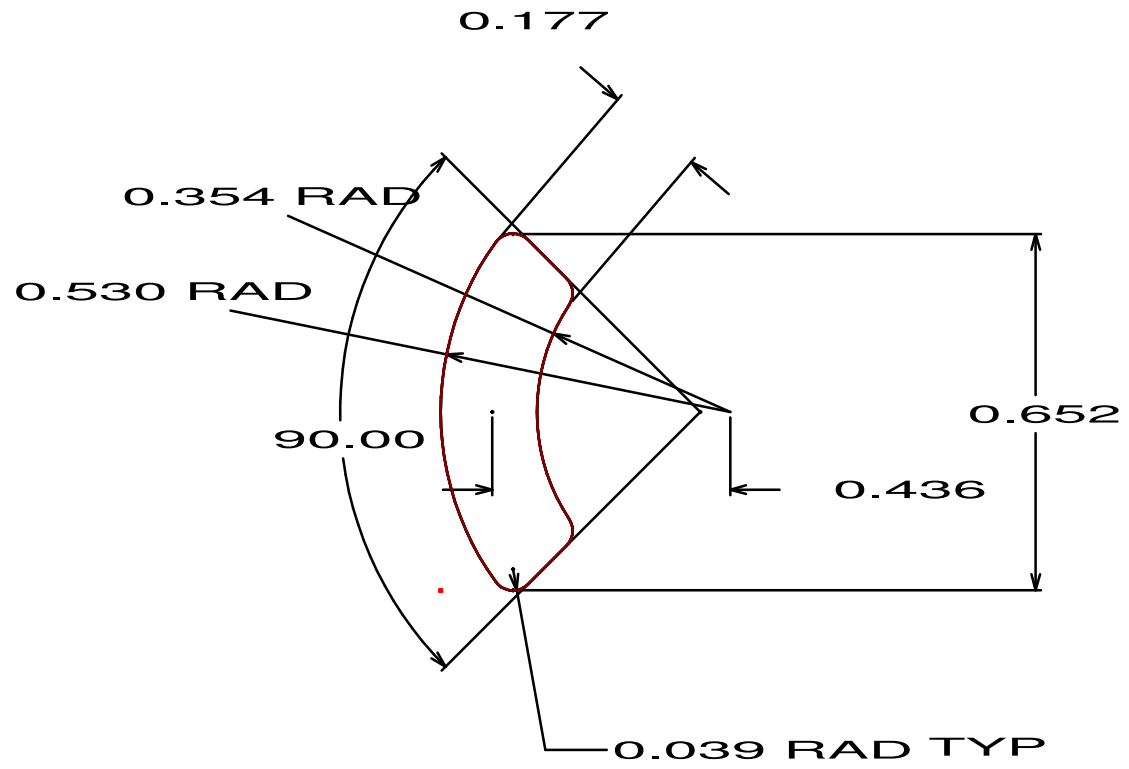
.125 x .613 radiused slot



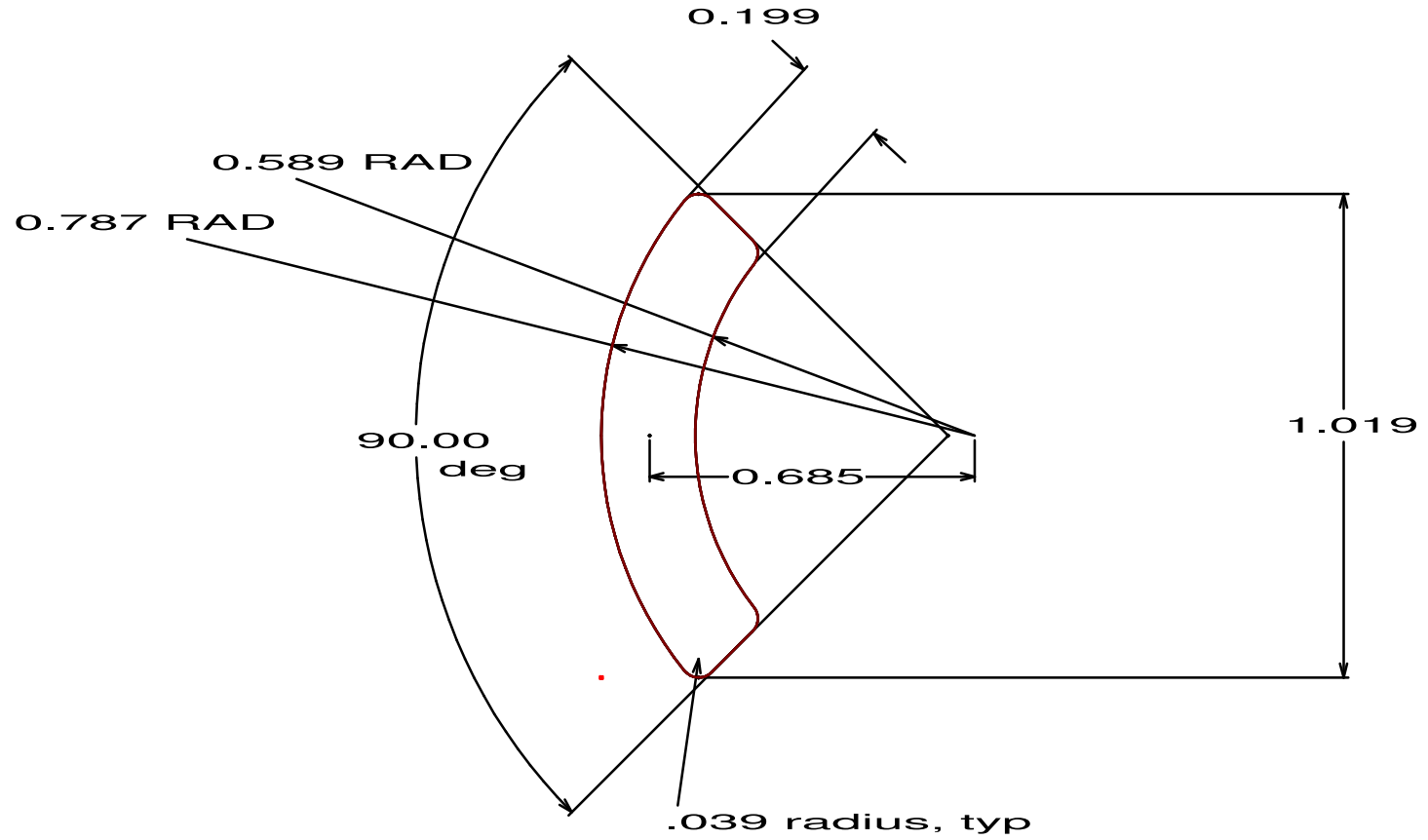
.150 x .175 bridge lance



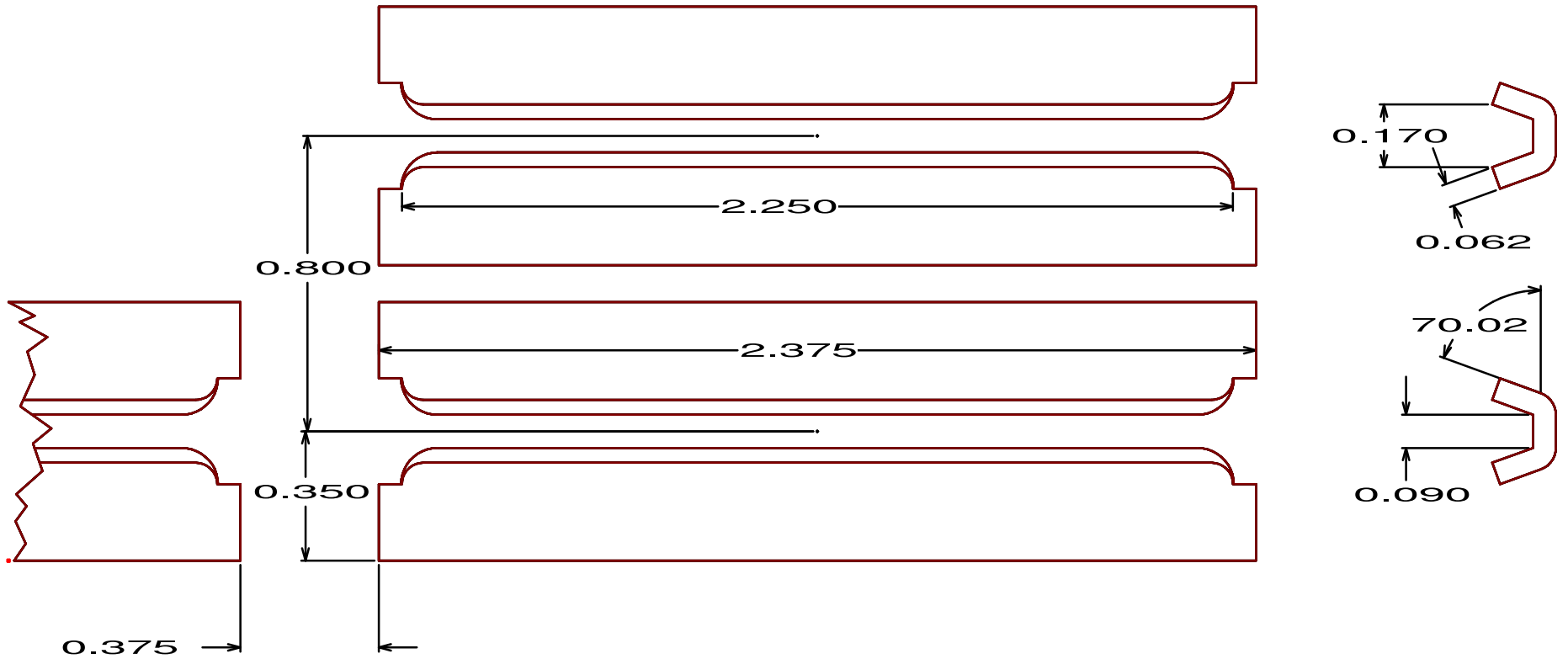
.177 x .436 radiused slot



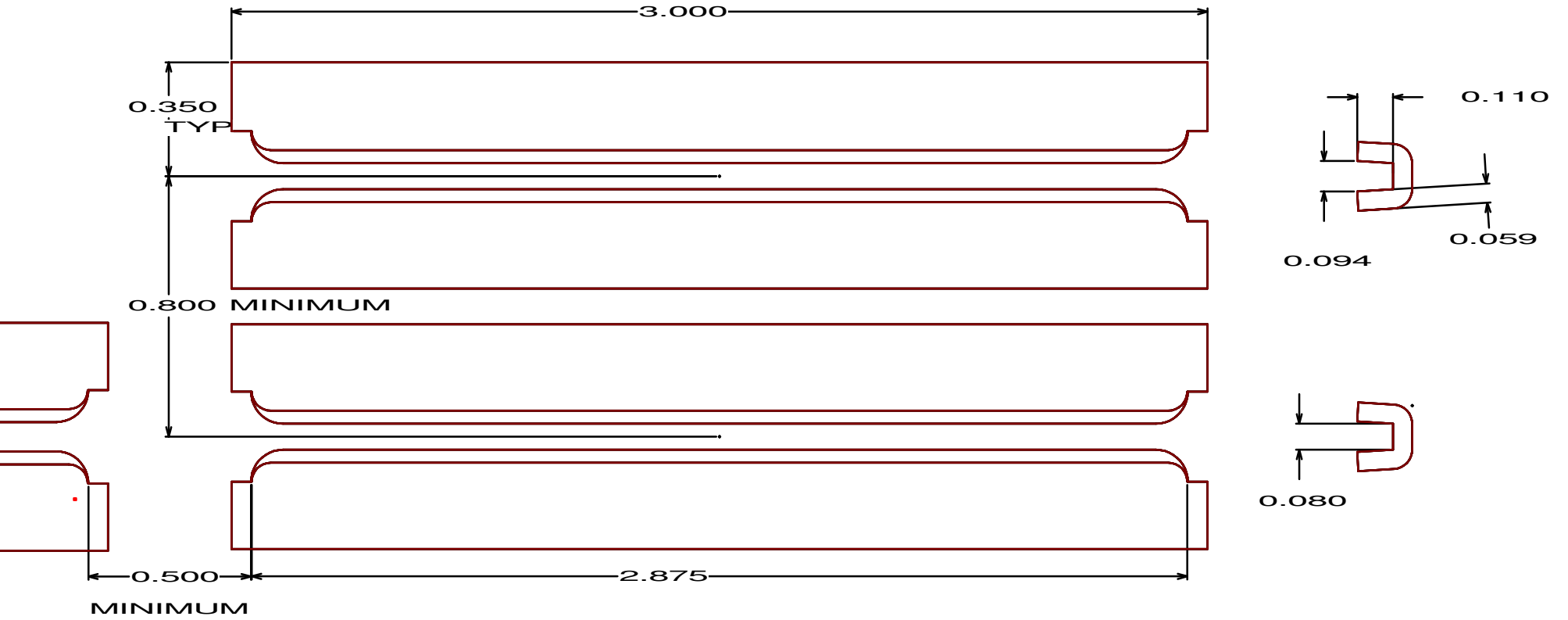
.199 x .685 radiused slot



2.250 CARD GUIDE

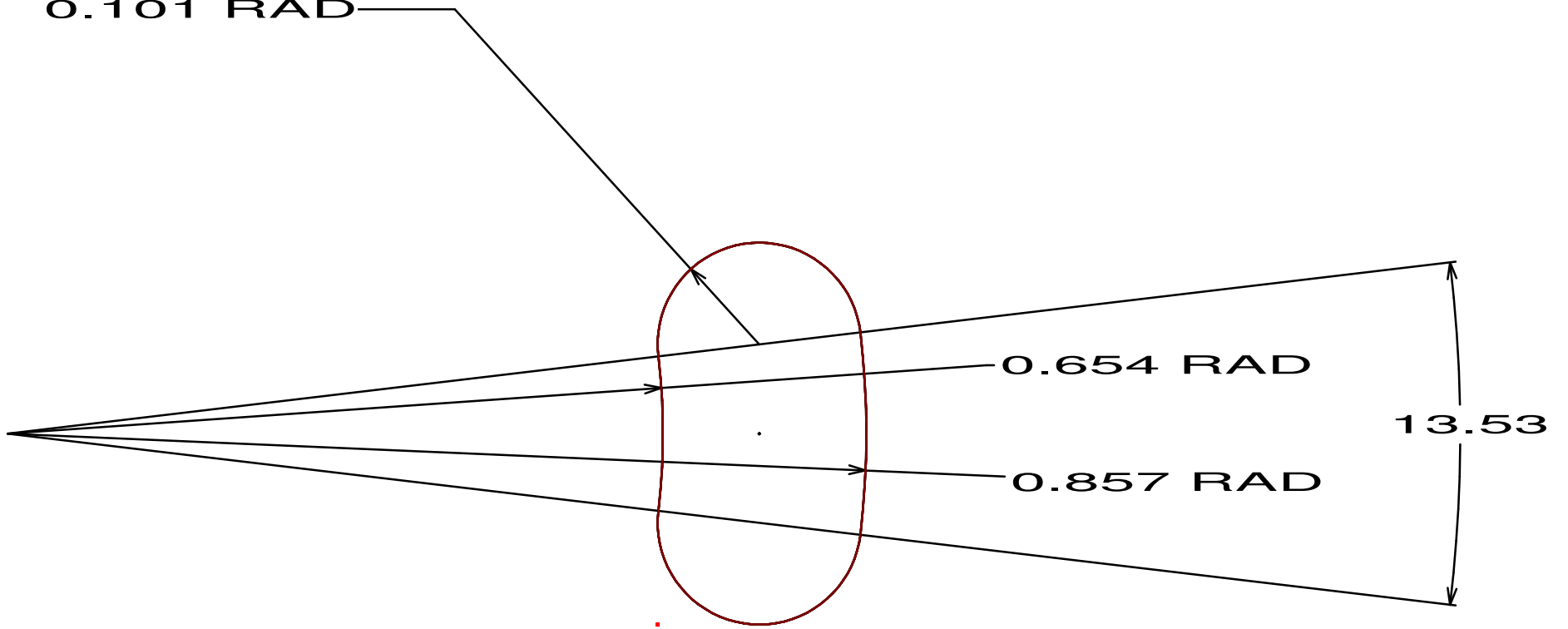


2.875 CARD GUIDE

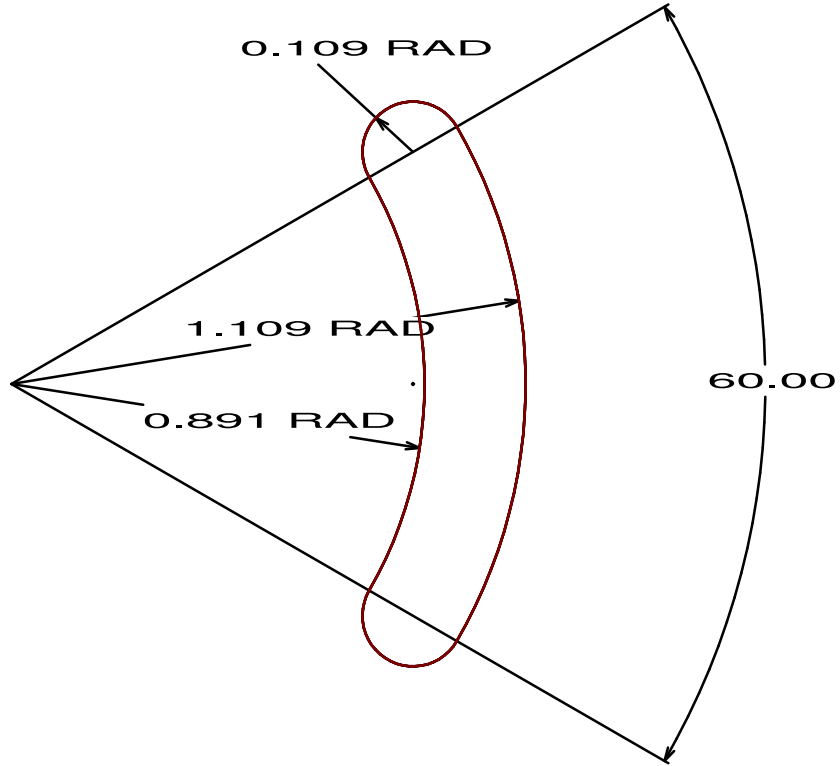


.203 X .750 RADIUSED SLOT

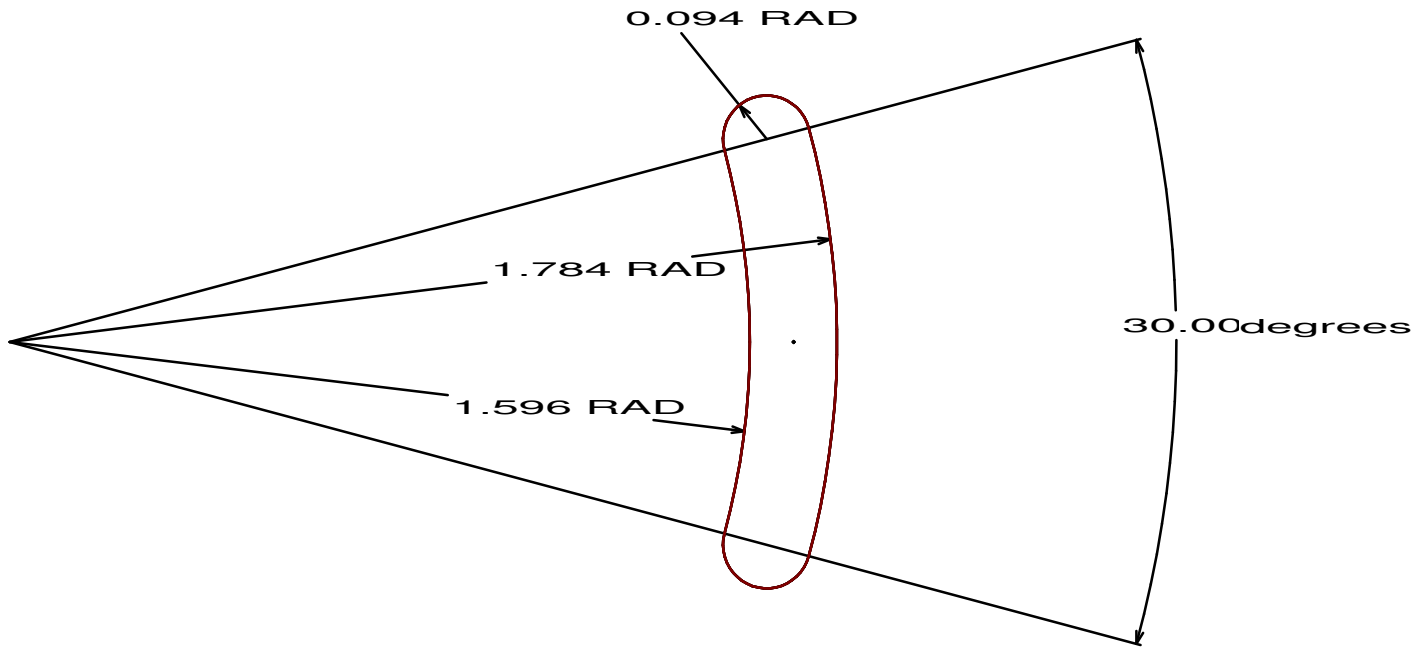
0.101 RAD



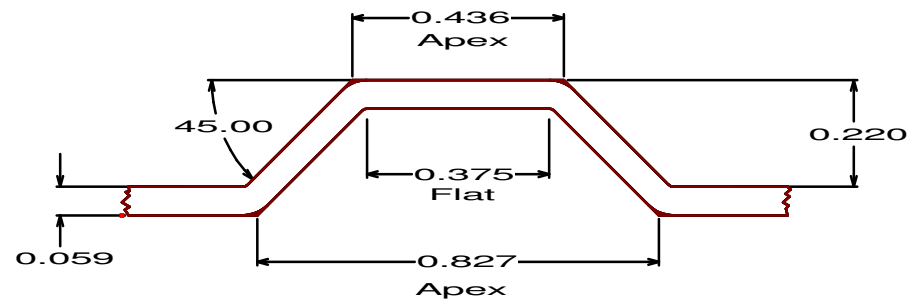
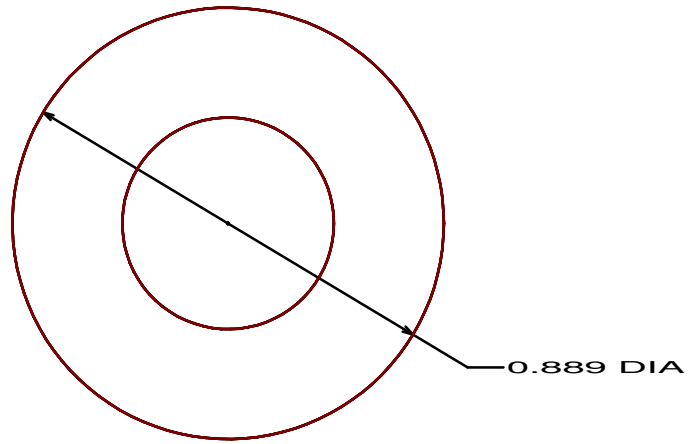
.218 x 1.00 radiused slot



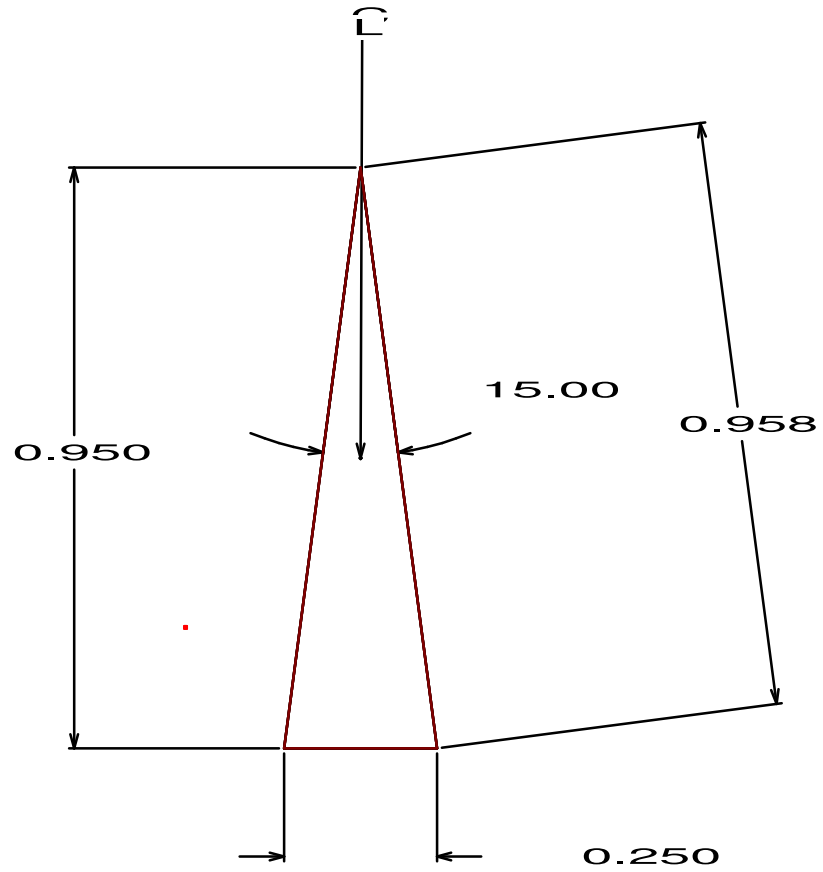
.218 x 1.69 radiused slot



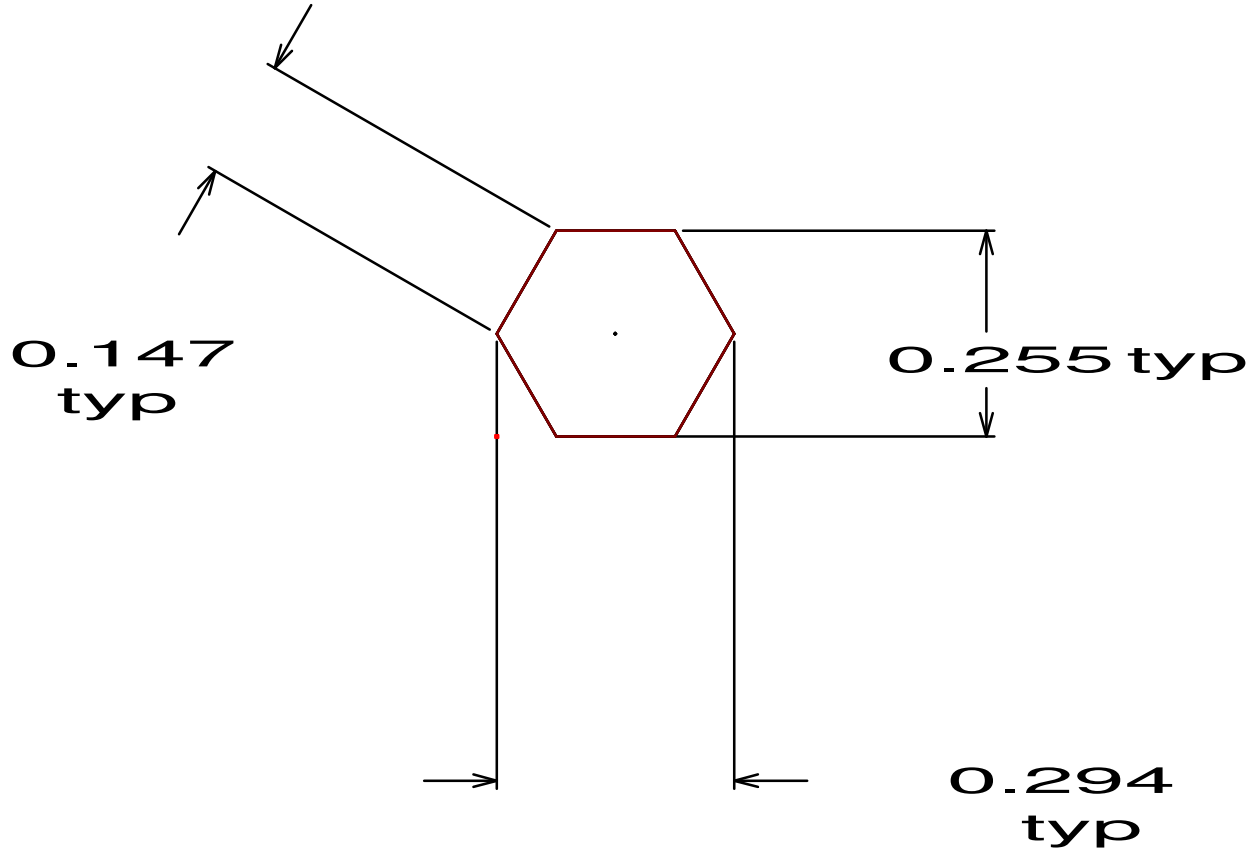
.220 X .436 DIMPLE



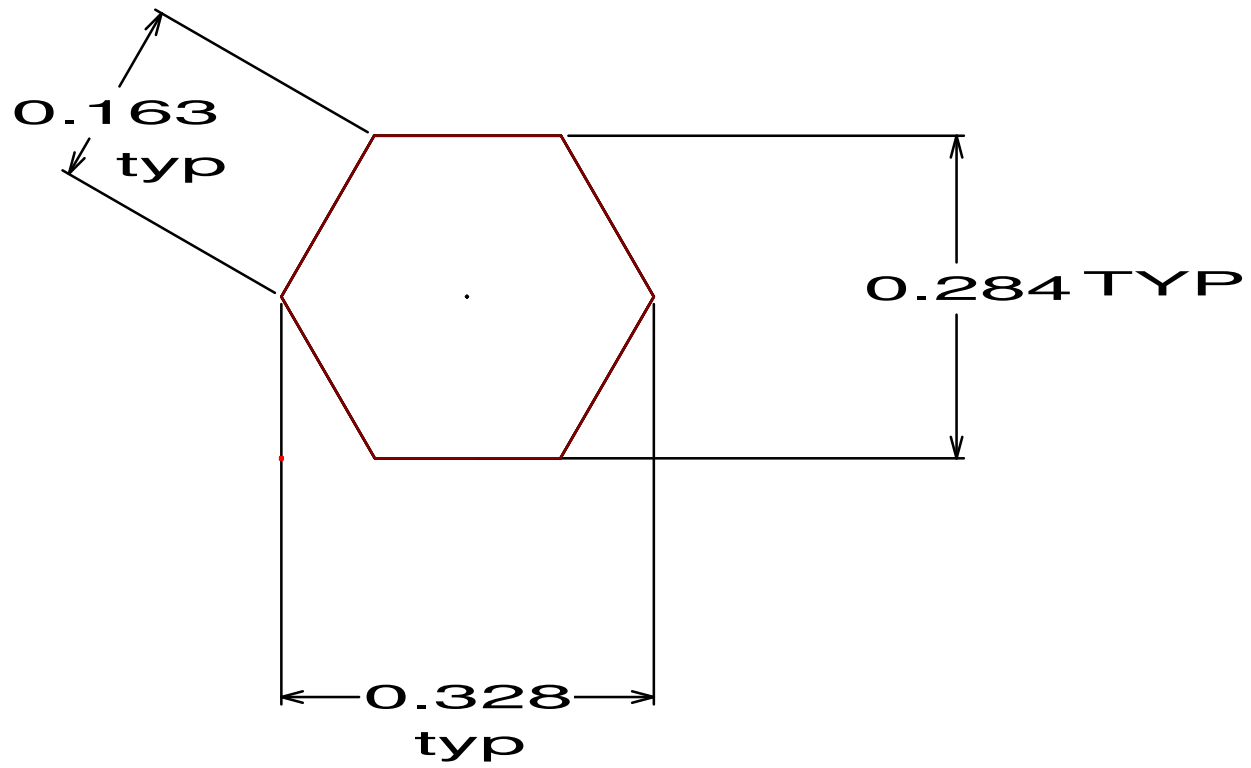
.250 x .950 triangle



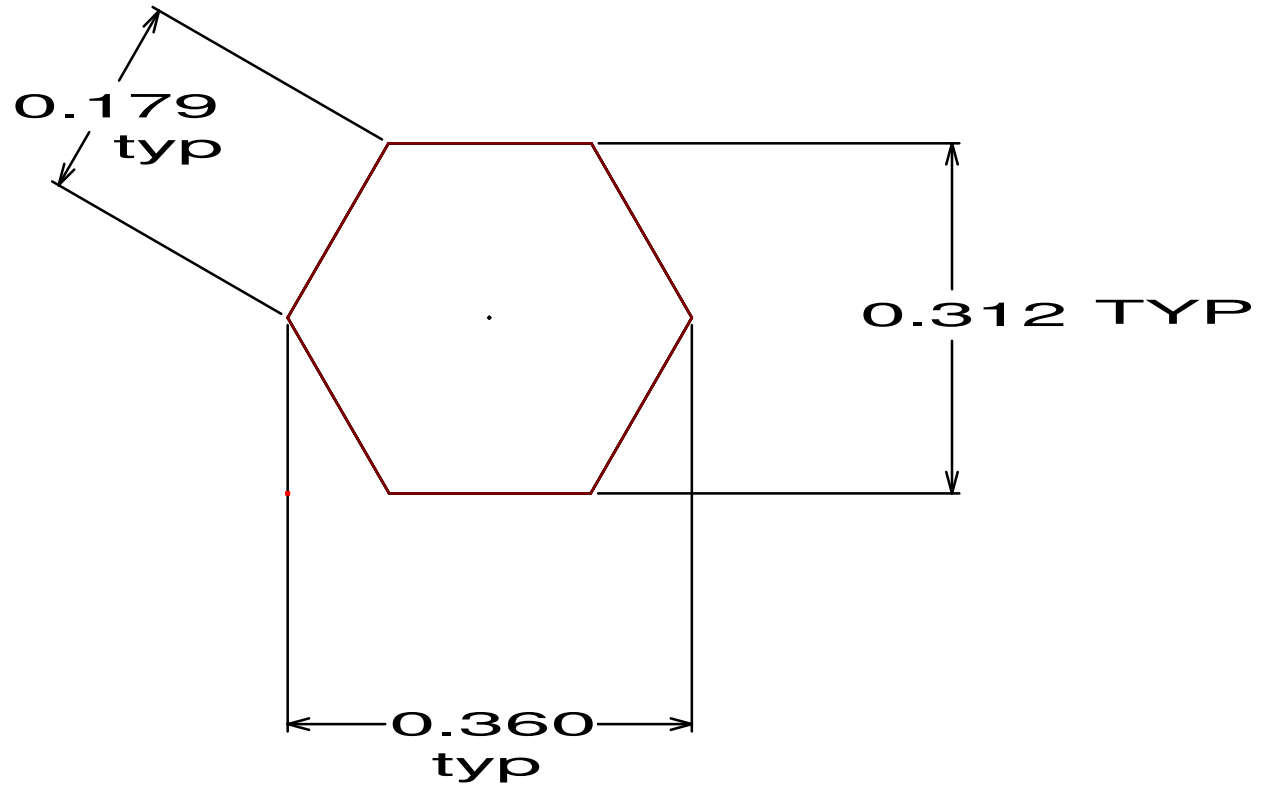
.255 hexagon

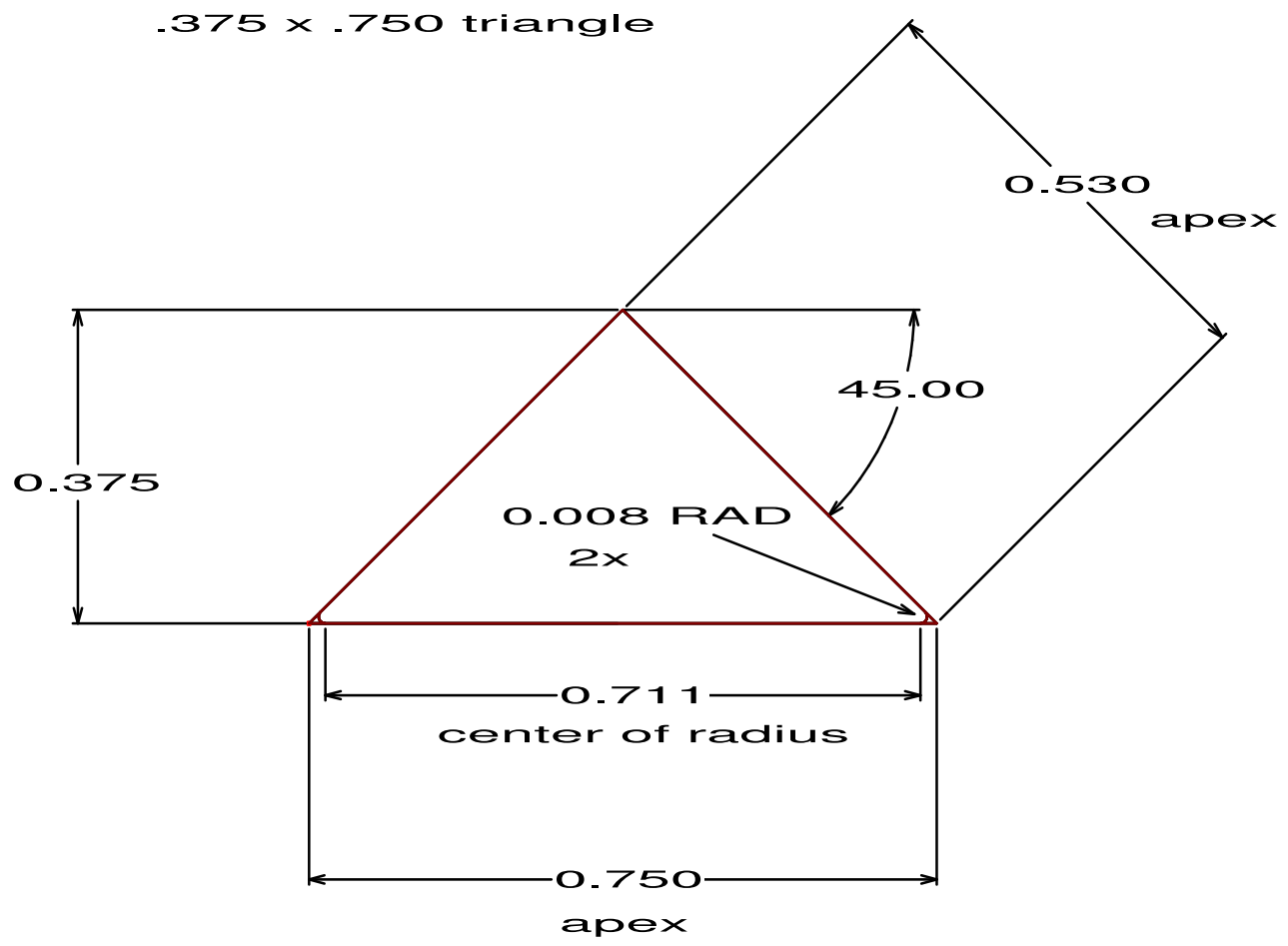


.284 hexagon

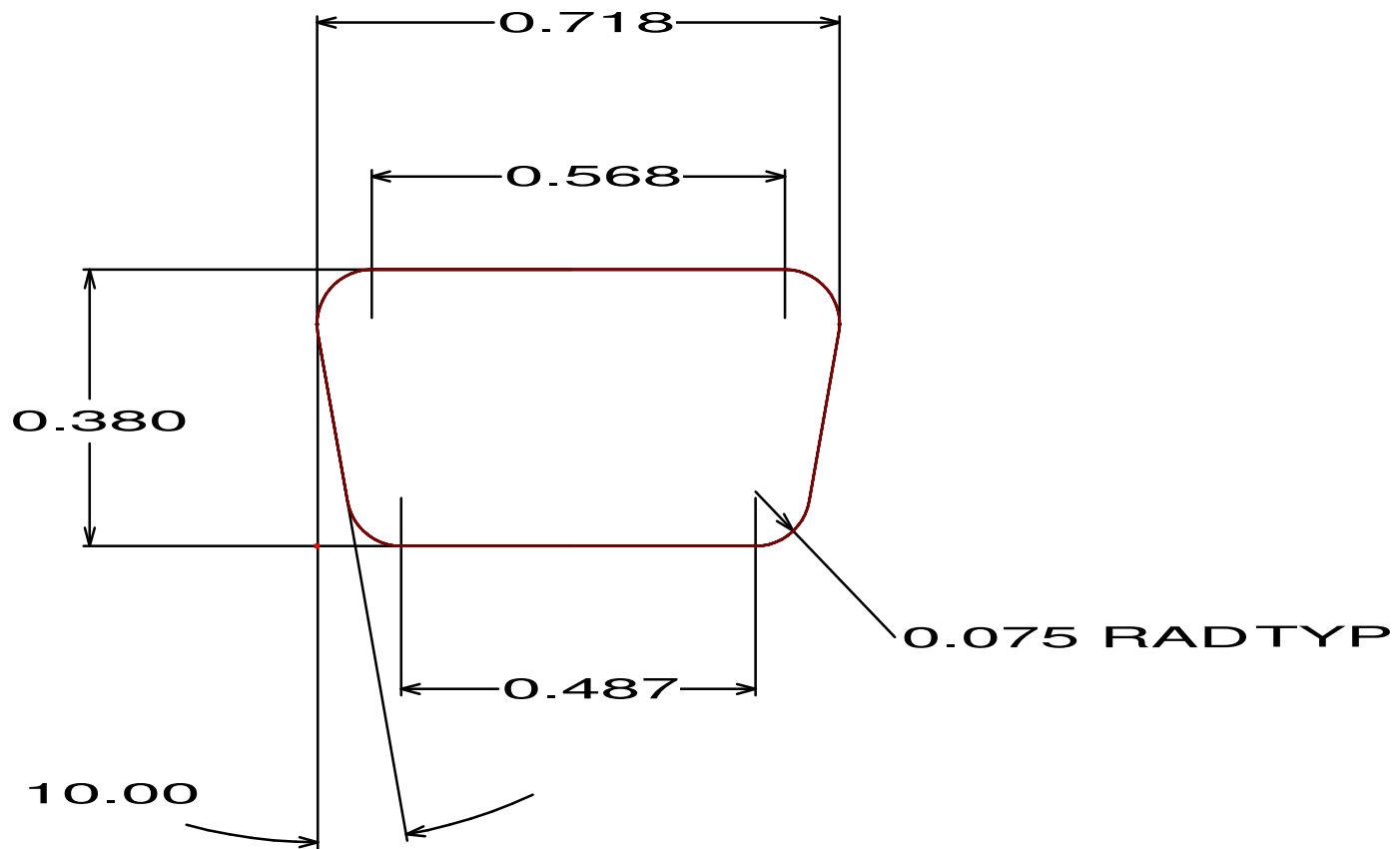


.312 hexagon



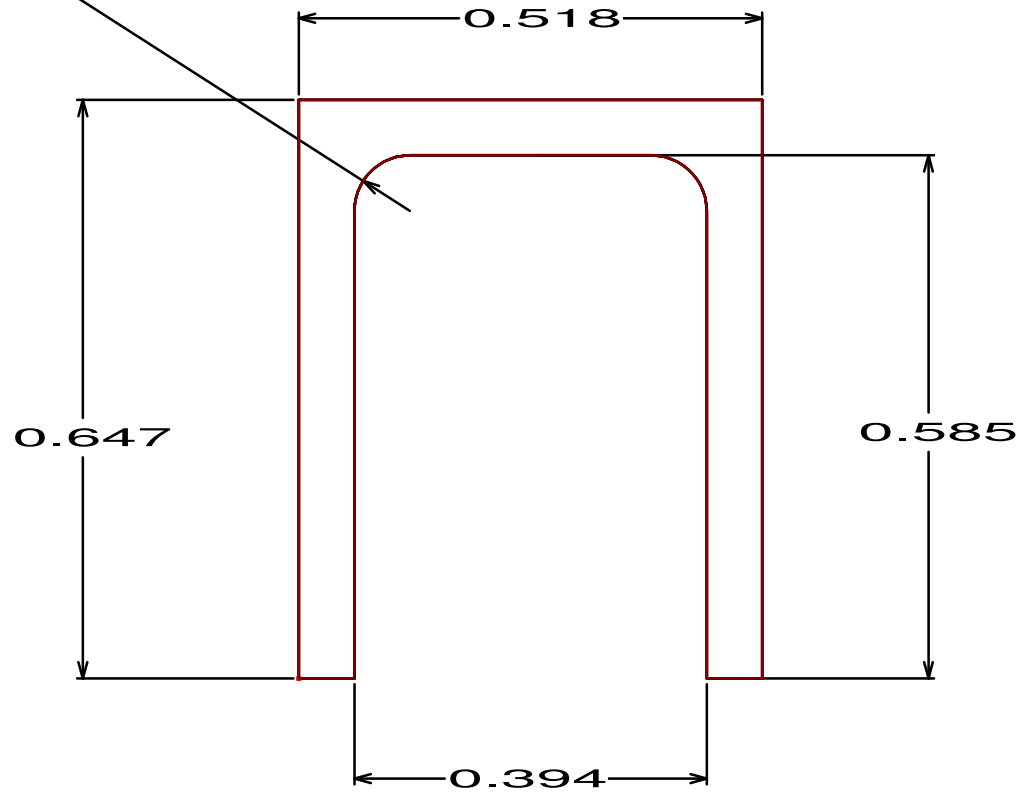


.380 x .718 trapezoid



.394 x .585 TAB

0.062 RAD

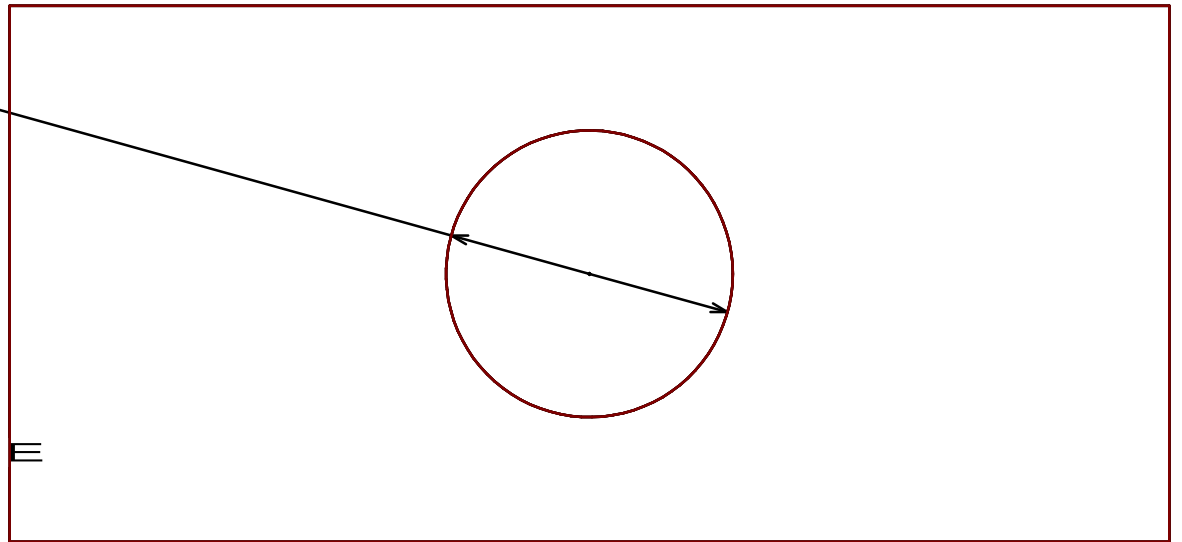


.400 DIA HALF SHEAR

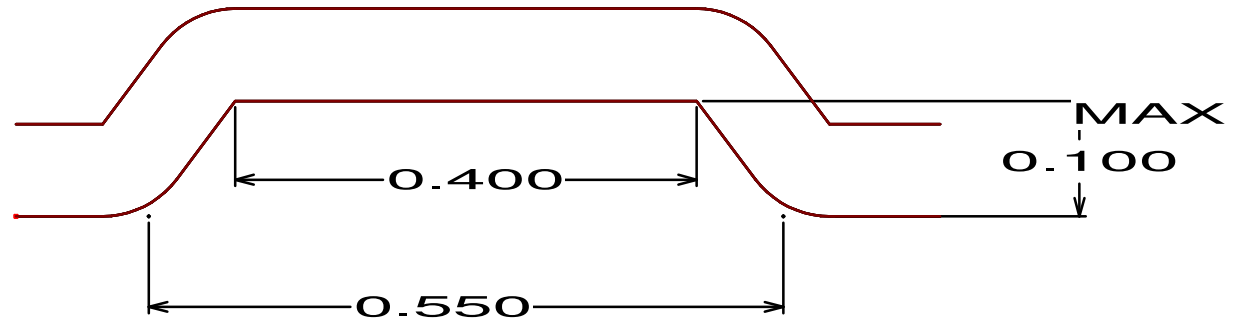
0.400 DIA

MATERIAL RANGE

18 GAUGE-14 GAUGE

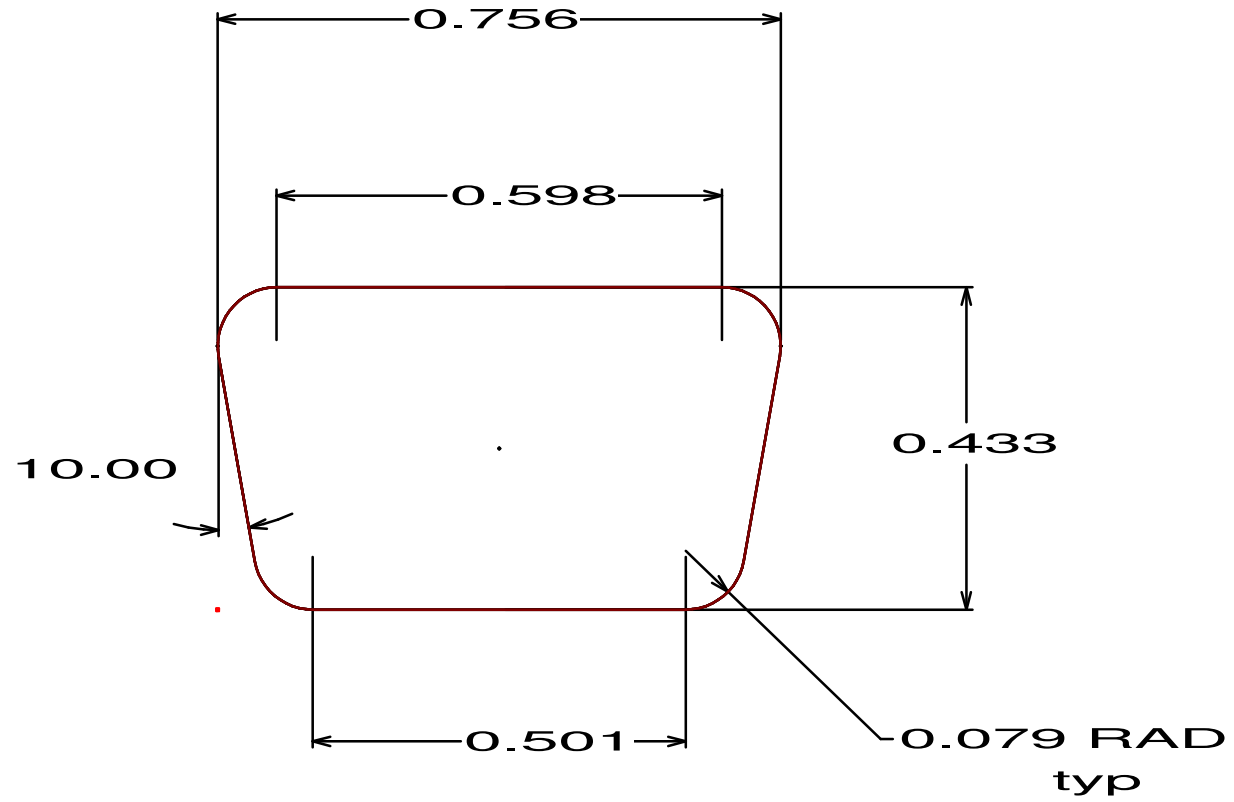


.400 x .100 form up lance

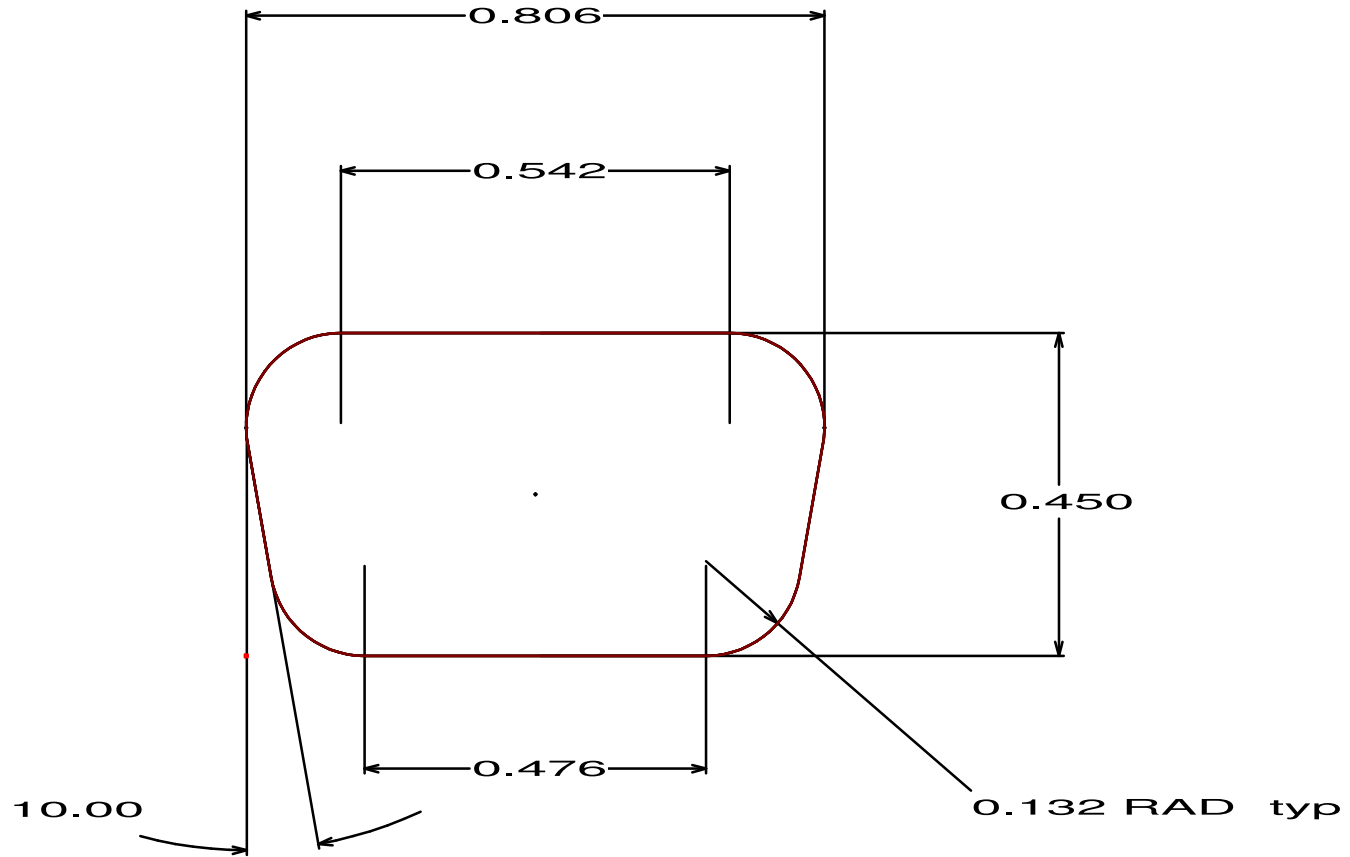


.240 MINIMUM SPACING BETWEEN

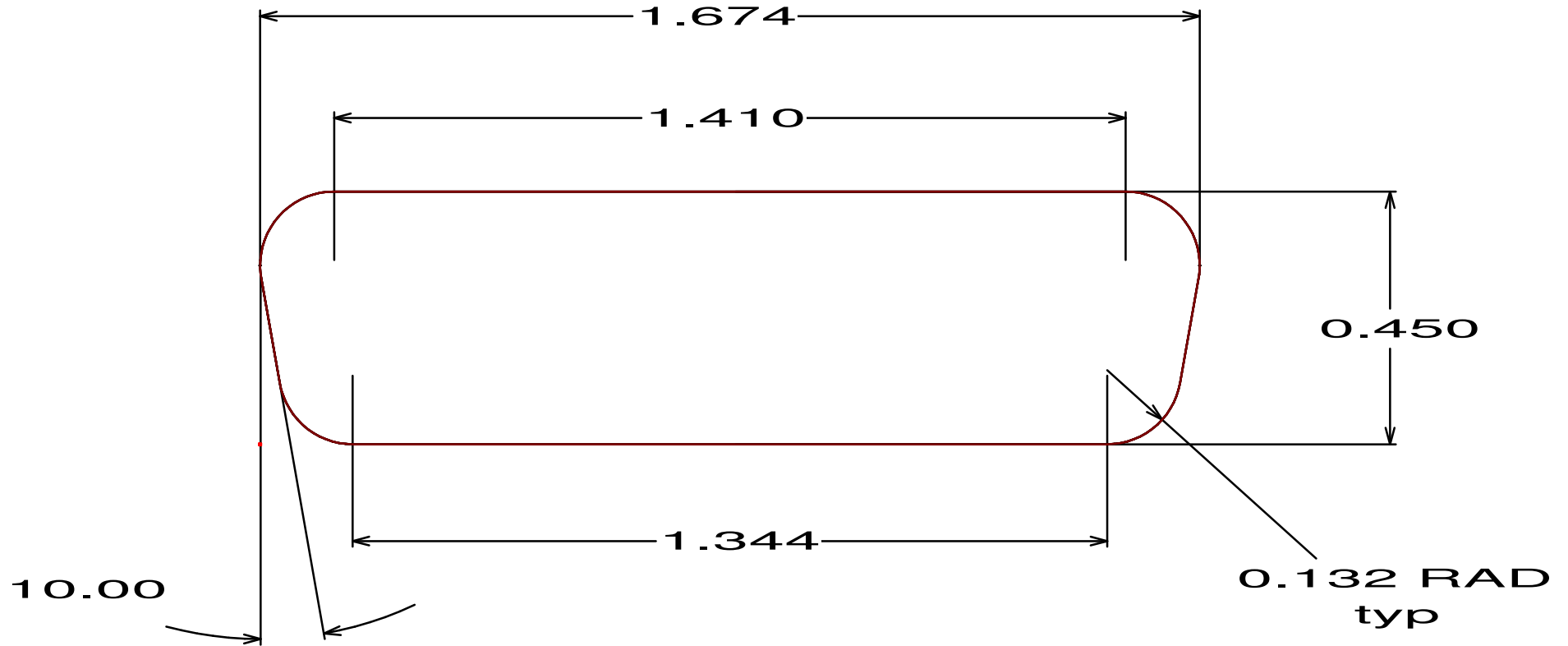
.433 x .756 trapezoid



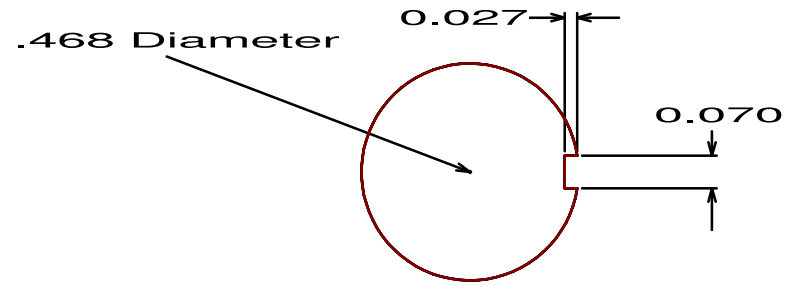
.450 x .806 trapezoid



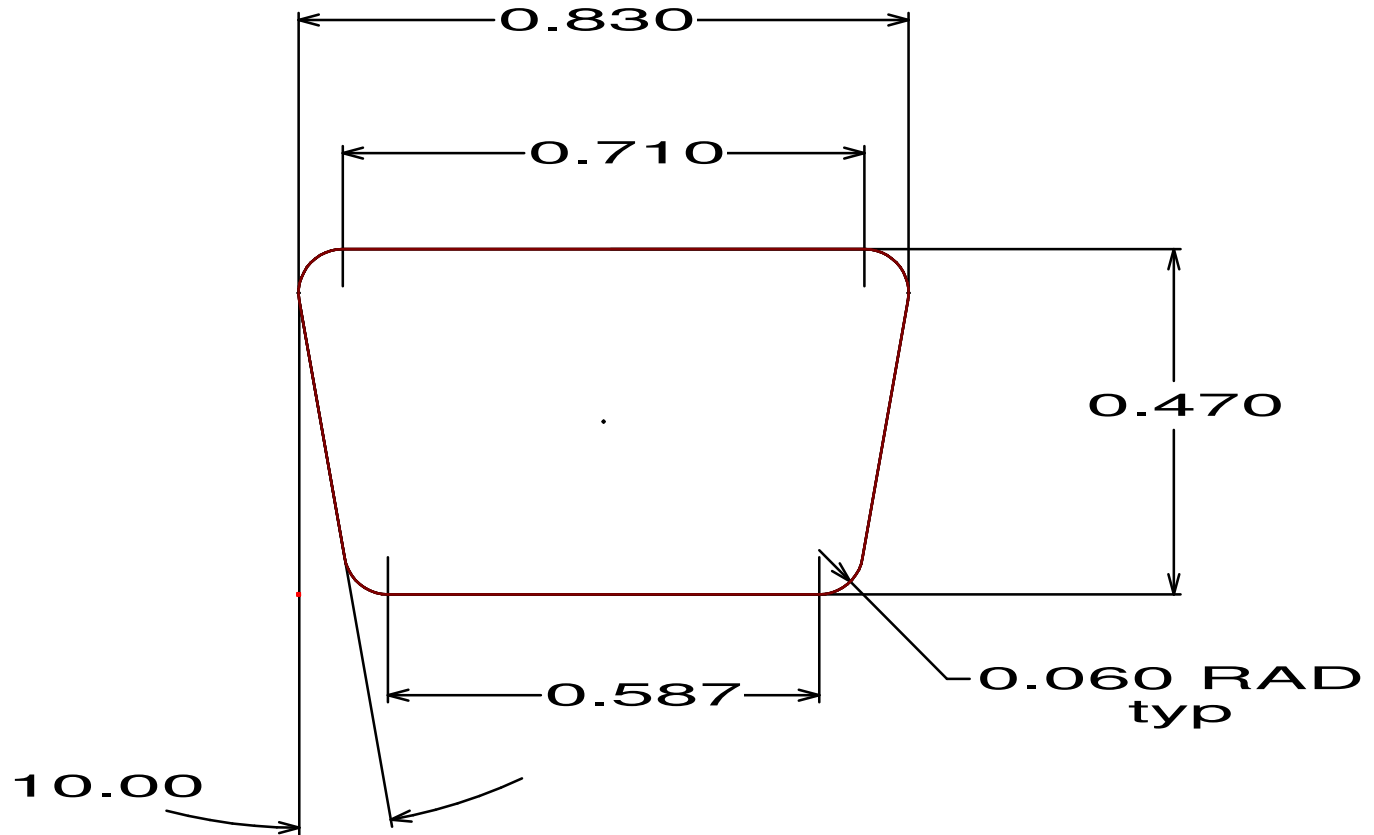
.450 x 1.674 trapezoid



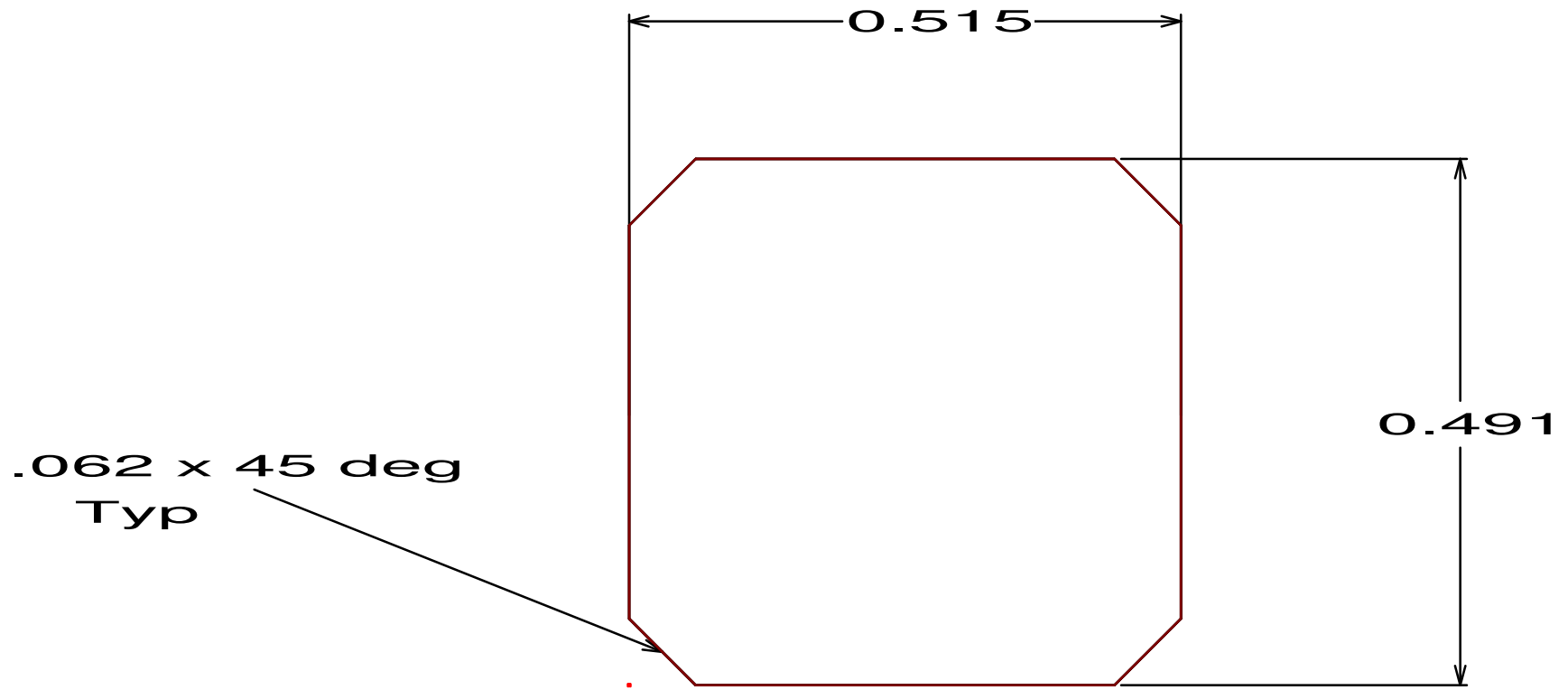
.468 Key hole



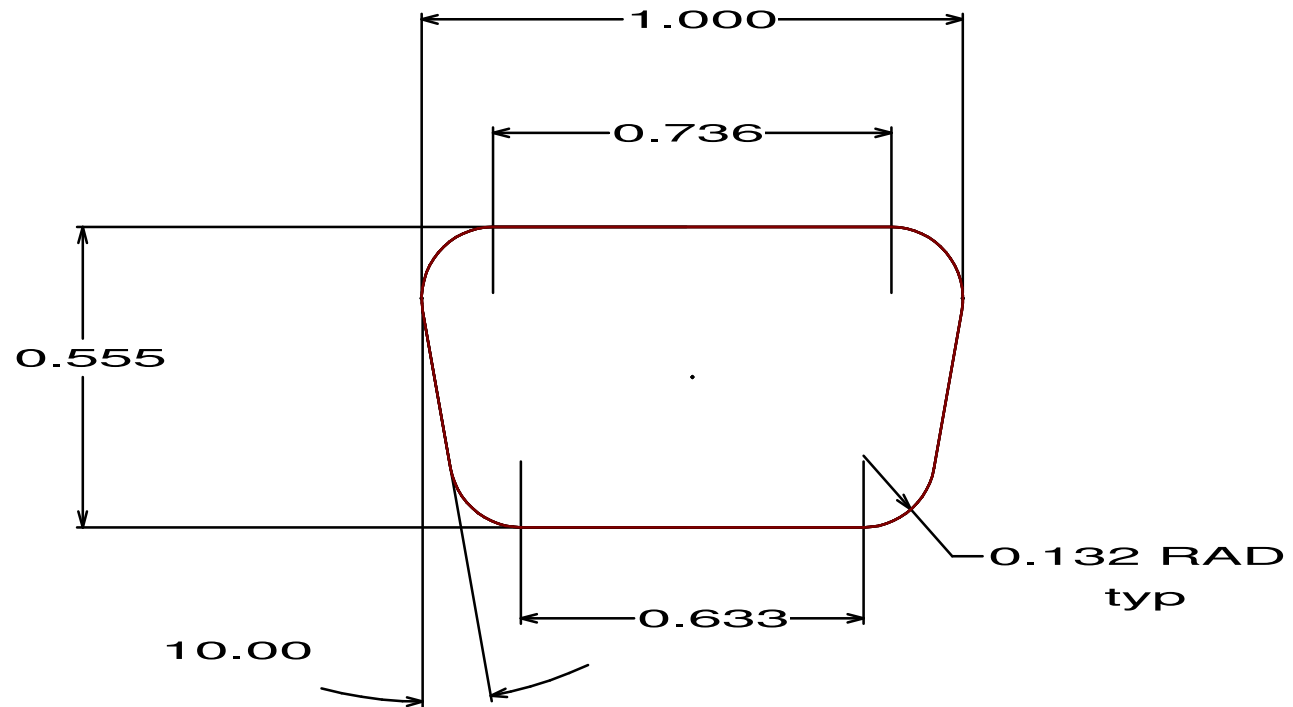
.470 x .830 trapezoid



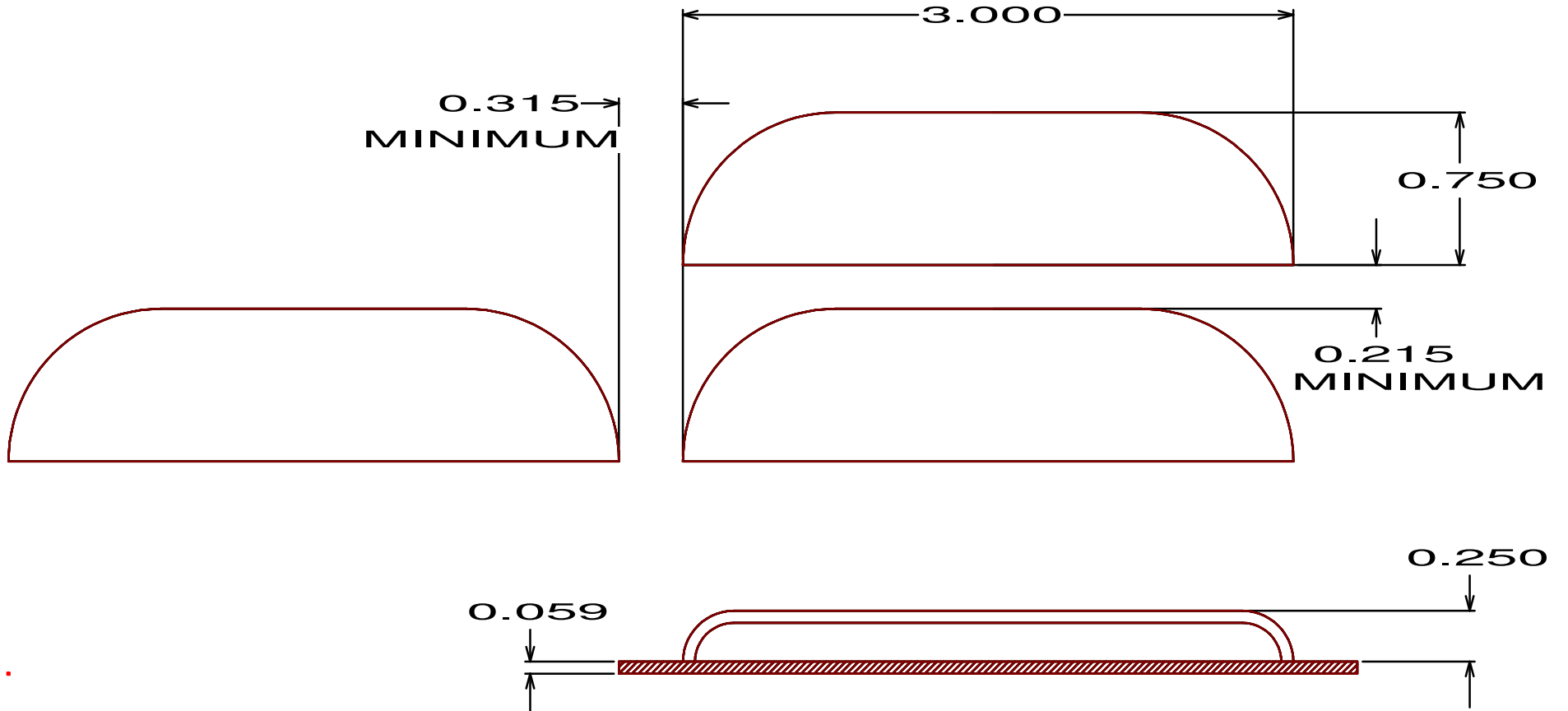
.491 x .515 Rectangle w chamfers



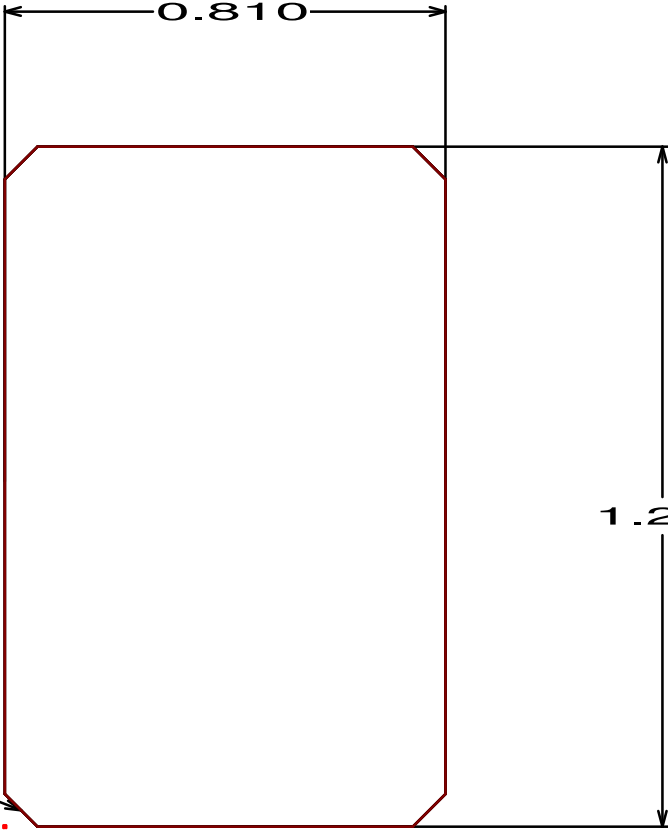
.555 x 1.000 trapezoid



.750 X 3.000 LOUVER

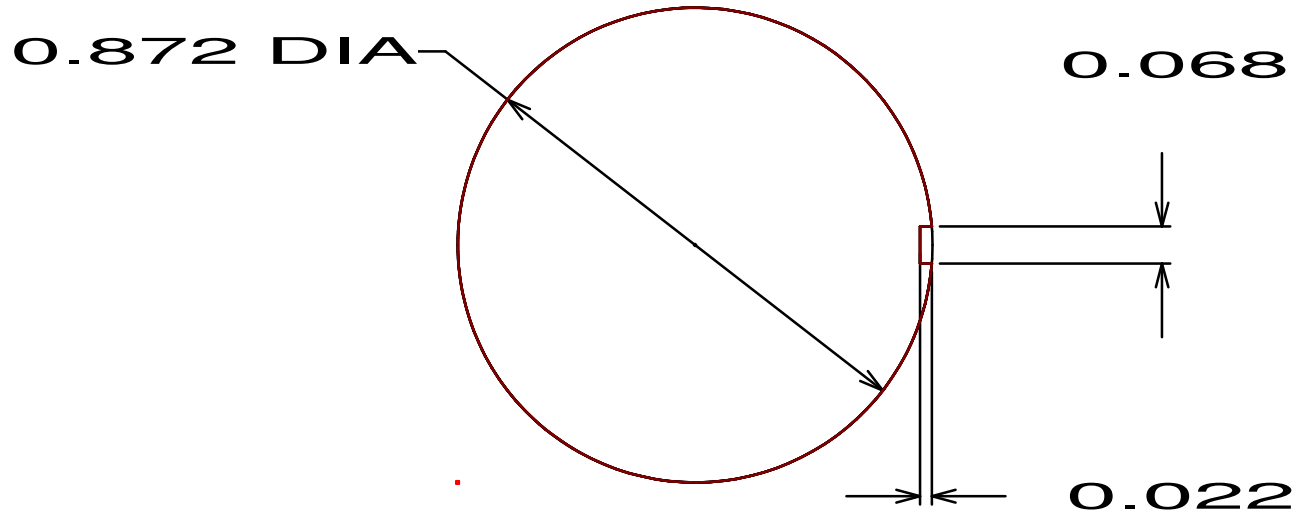


.810 x 1.250 rectangle w/chamfers

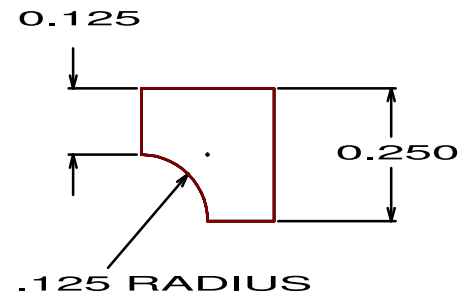
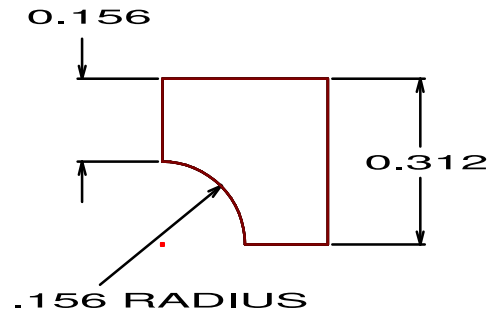
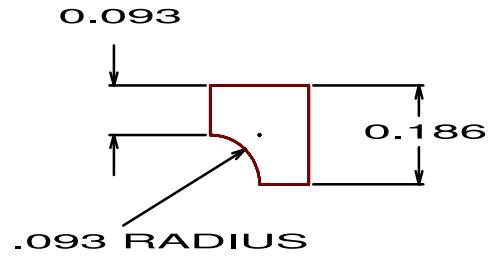
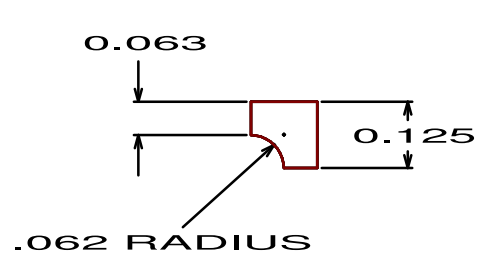


**.06 x 45 degrees
Typ**

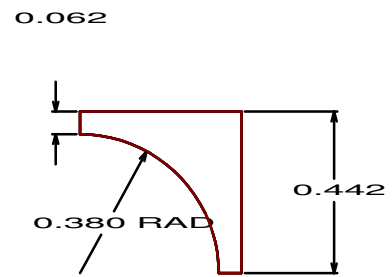
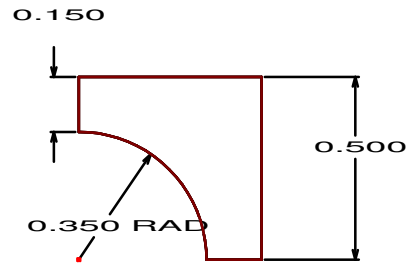
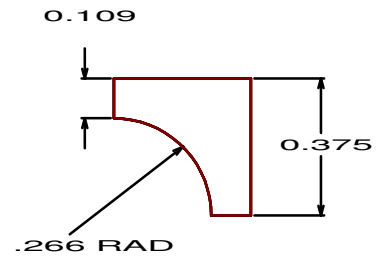
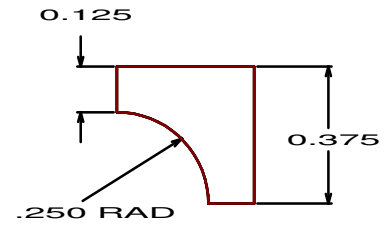
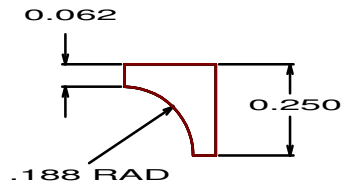
.872 Key hole



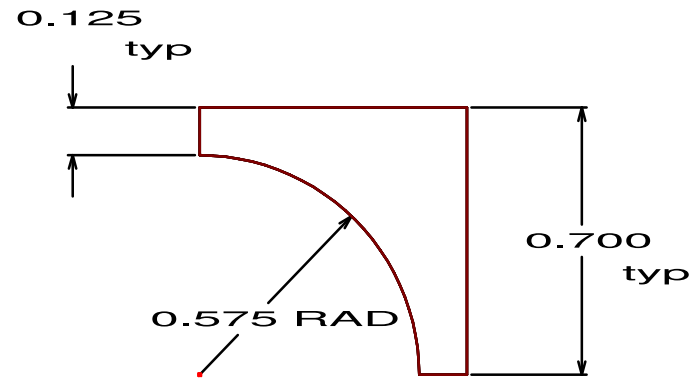
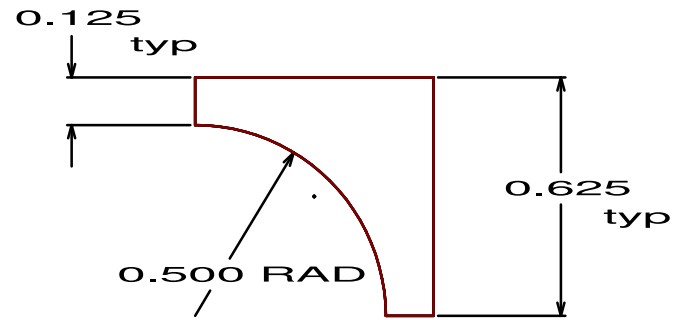
CORNER RADIUS .062-.156



CORNER RADIUS .188-.380

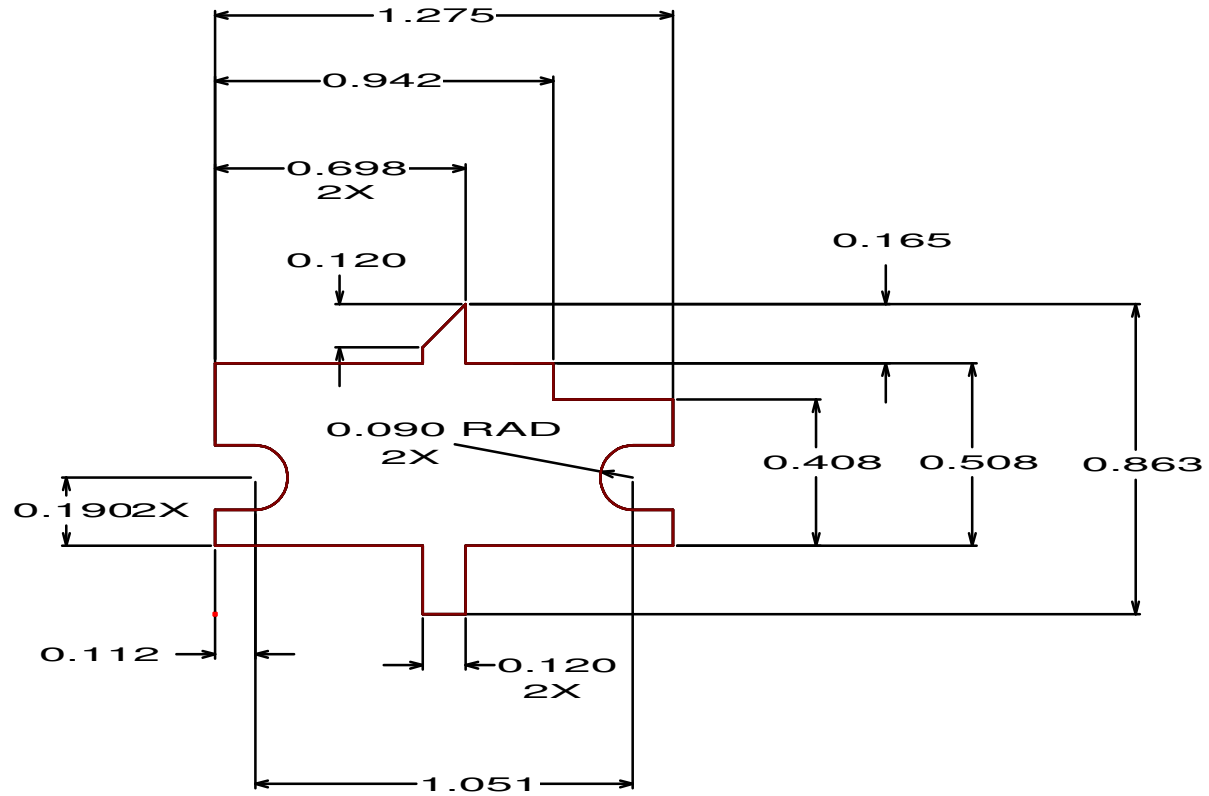


Corner Radius

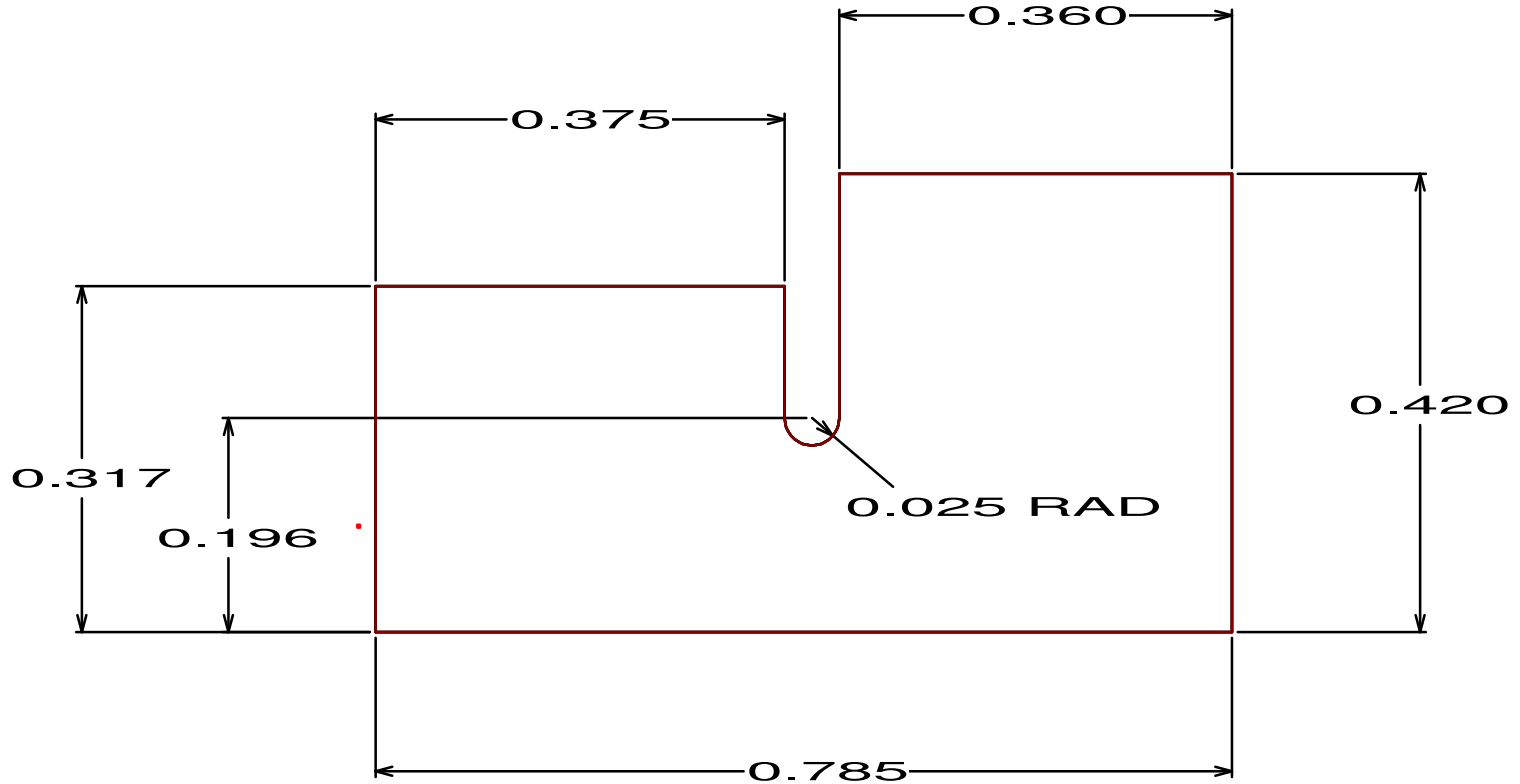


CUSTOM BLANKING TOOL 1

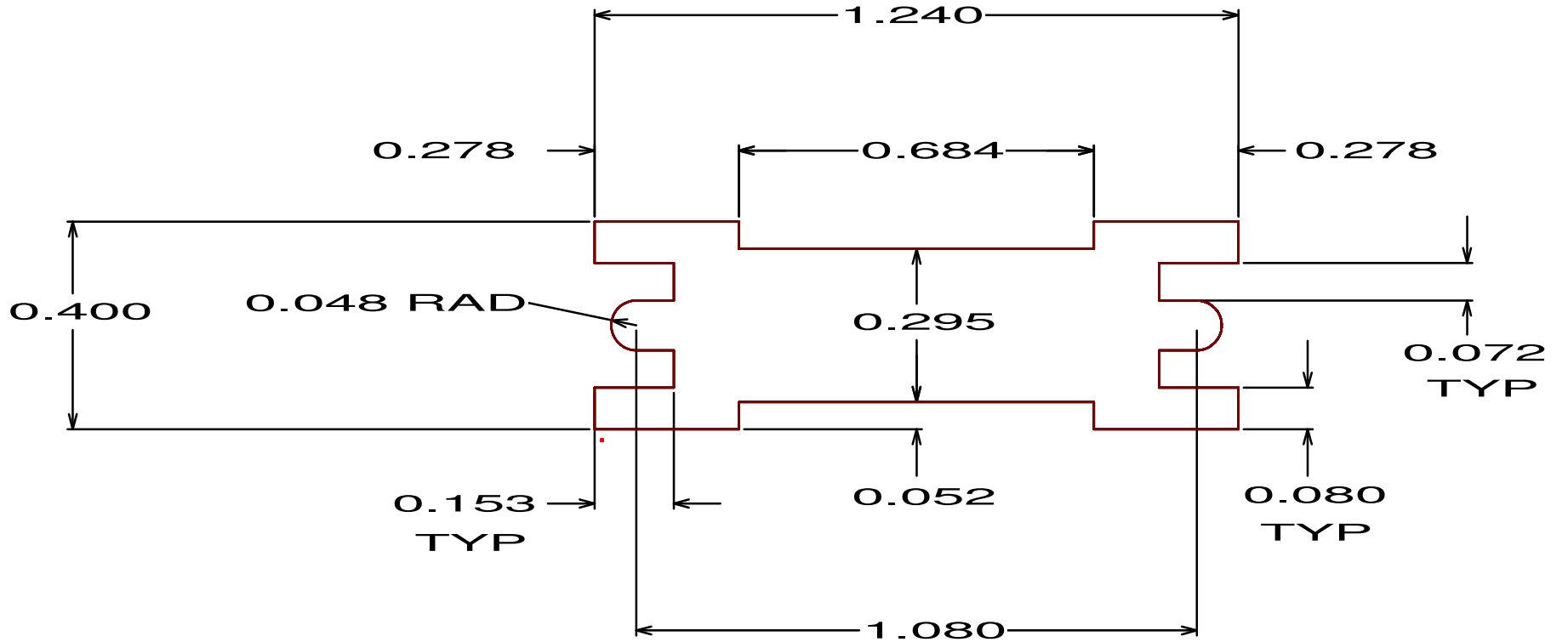
SLUG DIMENSIONS



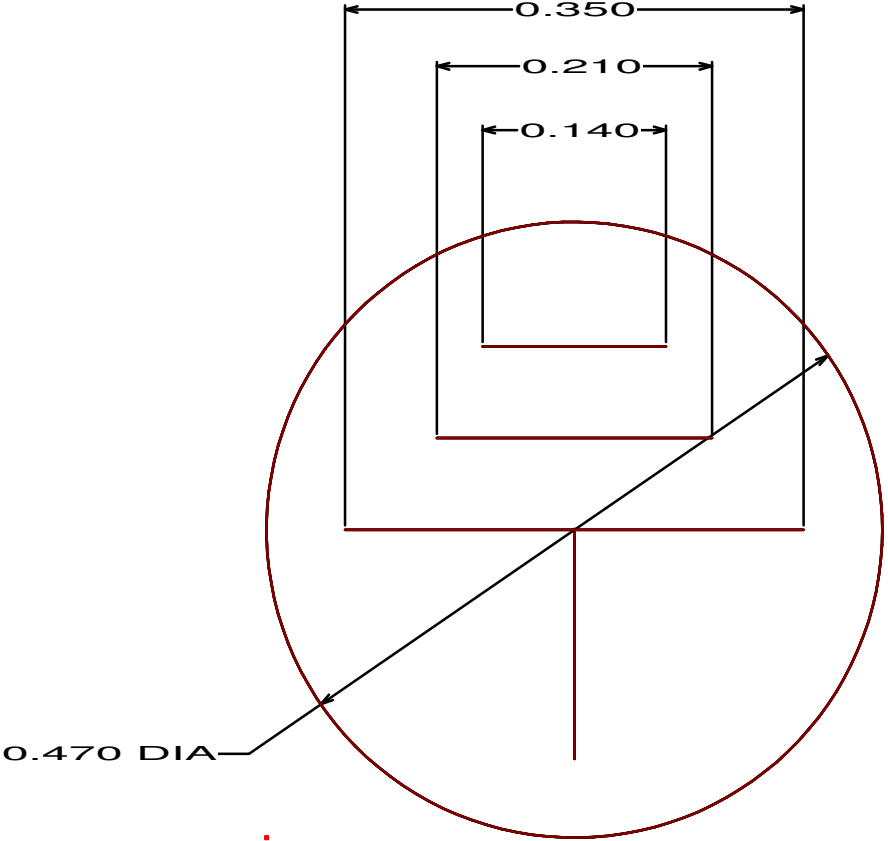
CUSTOM BLANKING TOOL 3
SLUG DIMENSIONS



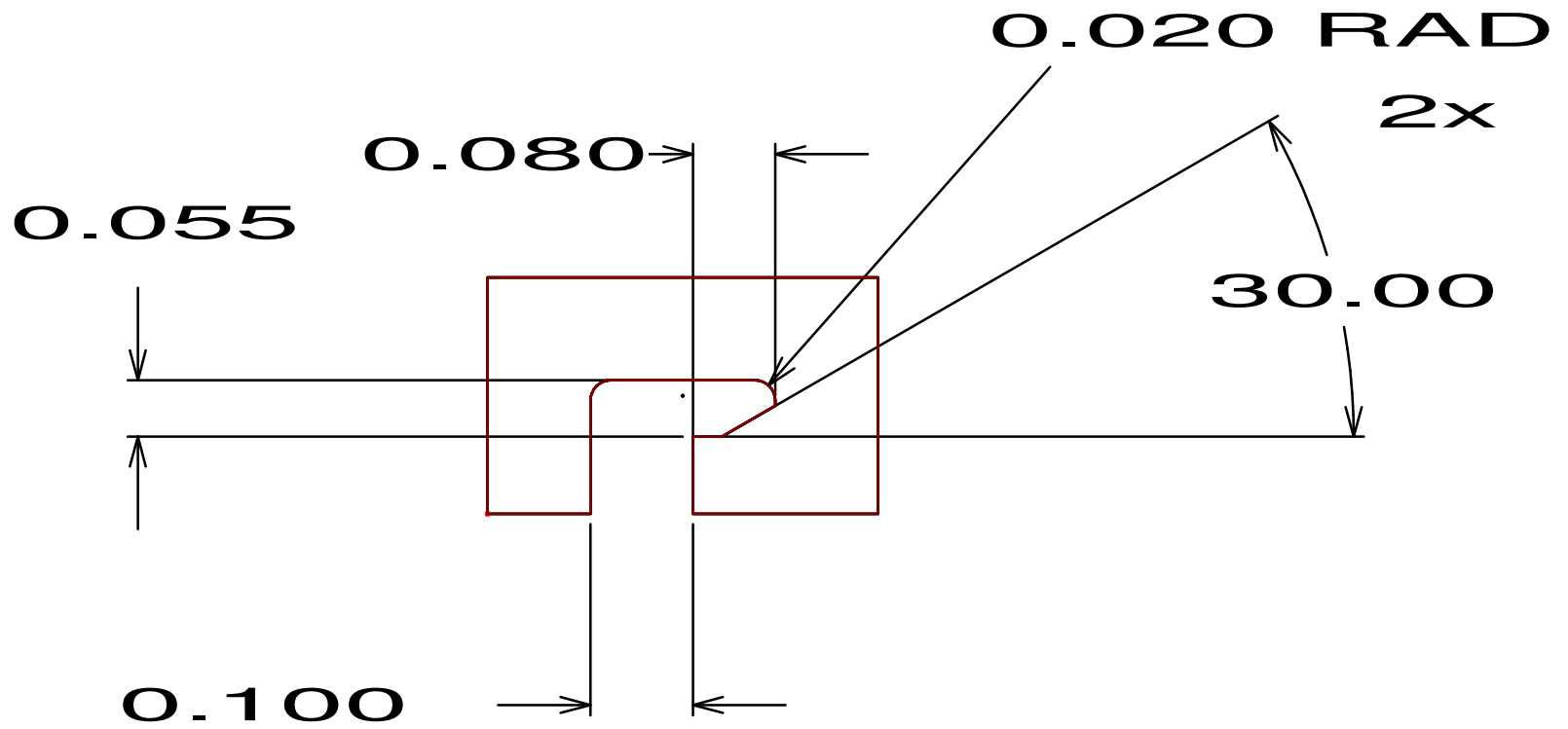
CUSTOM CUTOUT 1



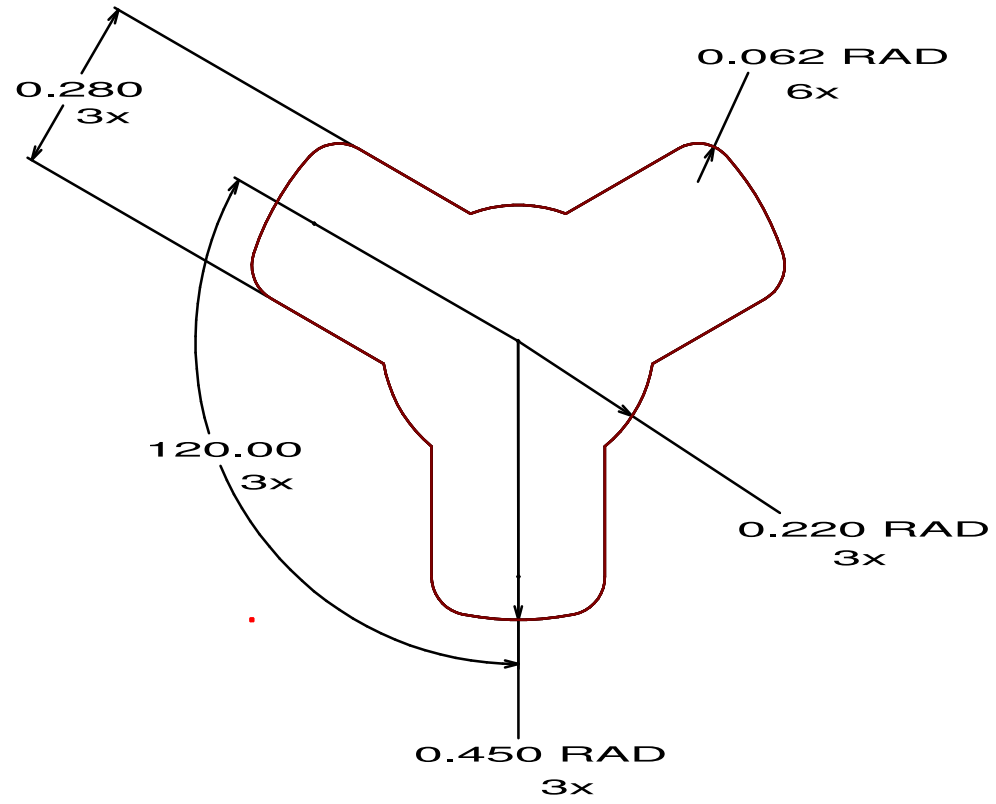
GROUND SYMBOL



HOOK TAB



Propellar



RECTANGLE W/ ROUNDED SIDE

